



DEXTERA

**LET IN AS
MUCH SUN AS
YOU WANT**

Exterior product catalogue

CONTENTS

FACADE ROLLER BLINDS

facade roller blinds 125	6
facade roller blinds ZIIP 120	8
facade roller blinds ZIIP 95	10
facade roller blinds ZIIP BOX	12
facade roller blinds 103	14
facade roller blinds 90	16
facade roller blinds 76	19
facade roller blinds XXL	22
facade roller blinds XL	24
facade roller blinds XS	26
veranda	28

PERGOLAS

pergolas pergoline	31
pergola elegant	34
pergolas smartroof	36

AUTOMATIC GLASS SYSTEMS

automatic glass systems	38
-------------------------	----

FACADE BLINDS

facade blinds C50	41
facade blinds C80	43
facade blinds Z90	46
facade blinds Z90 BOX	49
facade blinds C80 BOX	51

FACADE LAMELLAS

sunbreaker 300, rotatable	54
sunbreaker 210, rotatable	56
sunbreaker 210, fixed	58
sunbreaker clip	61

CONTENTS

ROLLER SHUTTERS

roller shutters	64
-----------------	----

AWNINGS

TERRACE AWNINGS

awning sunna	70
awning apollo	72
awning helios	75
awning arinna	78
awning california plus	80
awning terrea G60	82
awning terrea H60	84
awning terrea K60	86
awning terrea K70	88
awning terrea K50	90

BALCONY AWNINGS

awning italia	92
awning italia box	94
awning italia balcony	96

VERTICAL AWNINGS

awning bora	98
-------------	----

SECURITY GRILLES

aluminum security grilles	101
aluminum security grilles AEG/56	102
aluminum security grilles AEG/84	103
steel roller grilles	104

GARAGE GATES

household garage gates	107
industrial garage gates	113
panoramic garage gates	117

CONTENTS

GATE AUTOMATION

SWING GATE AUTOMATION

actuator beninca bob21m	120
actuator beninca bob30m	121
actuator beninca bob50m	122
actuator beninca bill30m	123
actuator beninca bill50m	124
actuator beninca kmb24	125

SLIDING GATE AUTOMATION

actuator beninca bull5m	126
actuator beninca bull624turbo	127
actuator beninca bull8m	128
actuator beninca bull10m	129

GARAGE DOOR AND INDUSTRIAL GATE AUTOMATION

actuator beninca jm3	130
actuator beninca jm4 esa	131

INDUSTRIAL GARAGE DOOR AUTOMATION

actuator vn.m20	132
actuator vn.s20	133

COMPLETED PROJECTS



DEXTERA

FACADE ROLLER BLINDS



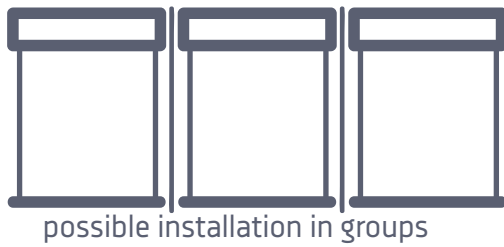
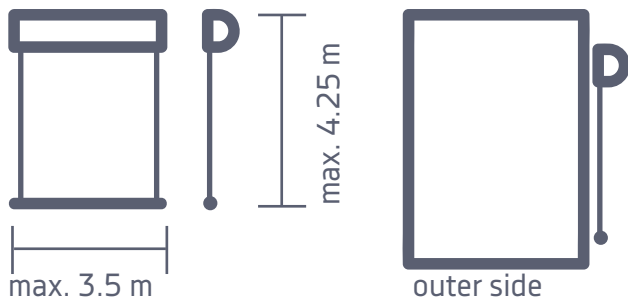
FACADE ROLLER BLINDS 125



Technical specifications

Colors	RAL
Electric actuator	YES
Manual actuator	NO
Maximum width	3.5 m
Maximum height	4.25 m
For outdoor use	YES
For indoor use	NO





FEATURES

Facade roller blinds 125 is a modern exterior roller blind system, installed on the facade of a building. It is easy to assemble and has a cassette fixed on the wire guides that along with wire holder clips makes up the element that holds the weight of the cassette.

- Cassettes made from round extruded aluminum profile.
- Wire guide parts are made from 10 mm diameter stainless steel.
- A vast selection of materials.
- Check-up can be done from the frontal side of the system.
- Electric actuator.
- Made to be installed onto facades.
- Can be installed in groups both horizontally and vertically (up to 8.5 m height).
- The construction can be any RAL Color.





FACADE ROLLER BLINDS ZIIP 120

Technical specifications

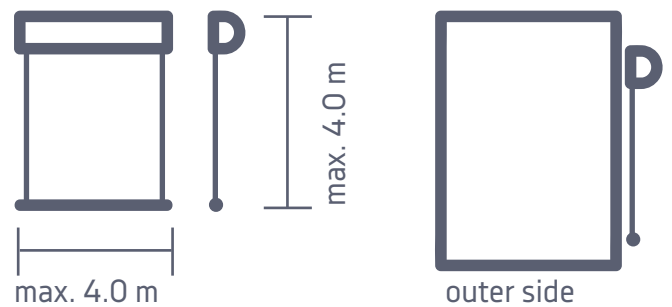
Colors	RAL
Electric actuator	YES
Manual actuator	NO
Maximum width	4.0 m
Maximum height	4.0 m
For outdoor use	YES
For indoor use	NO



- Cassette for an integrating installation is made from an aluminum sheet. There is an additional part that can be plastered.
- Extruded aluminum cassette is installed into recesses and onto facades.
- ZIIP mechanism.
- Check-up can be done from the lower part of the system.
- Two-part ZIIP type wire guide.
- Large selection of materials.
- An electric actuator.
- You can order a variant of the structure in which the entire weight is held only with wide holder clips (no need to install a cassette).
- The construction can be any RAL Color.

FEATURES

Facade roller blinds ZIIP 120 can be installed on the facade, the recess or integrated. The unique ZIIP system always keeps the fabric tightly stretched, and, when using an opaque fabric, ensures complete dim-out.





FACADE ROLLER BLINDS ZIIP 95



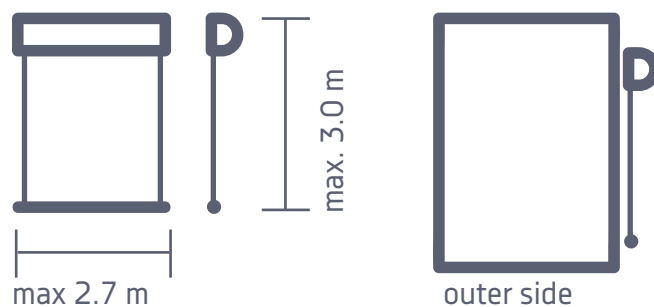
Technical specifications

Colors	RAL
Electric actuator	YES
Manual actuator	NO
Maximum width	2.7 m
Maximum height	3.0 m
For outdoor use	YES
For indoor use	NO

- Highly-wind resistant.
- Extruded aluminum cassette installed in recesses and on facades.
- ZIIP mechanism.
- Check-up can be done from the front of the system.
- Two-part guide rail.
- Electric actuator.
- Self-contained system.
- The construction can be any RAL Color.

FEATURES

Facade roller blinds ZIIP 95 can be installed on the facade or in a recess. This roller blind system is highly wind resistant and electrically operated.





FACADE ROLLER BLINDS ZIIP BOX



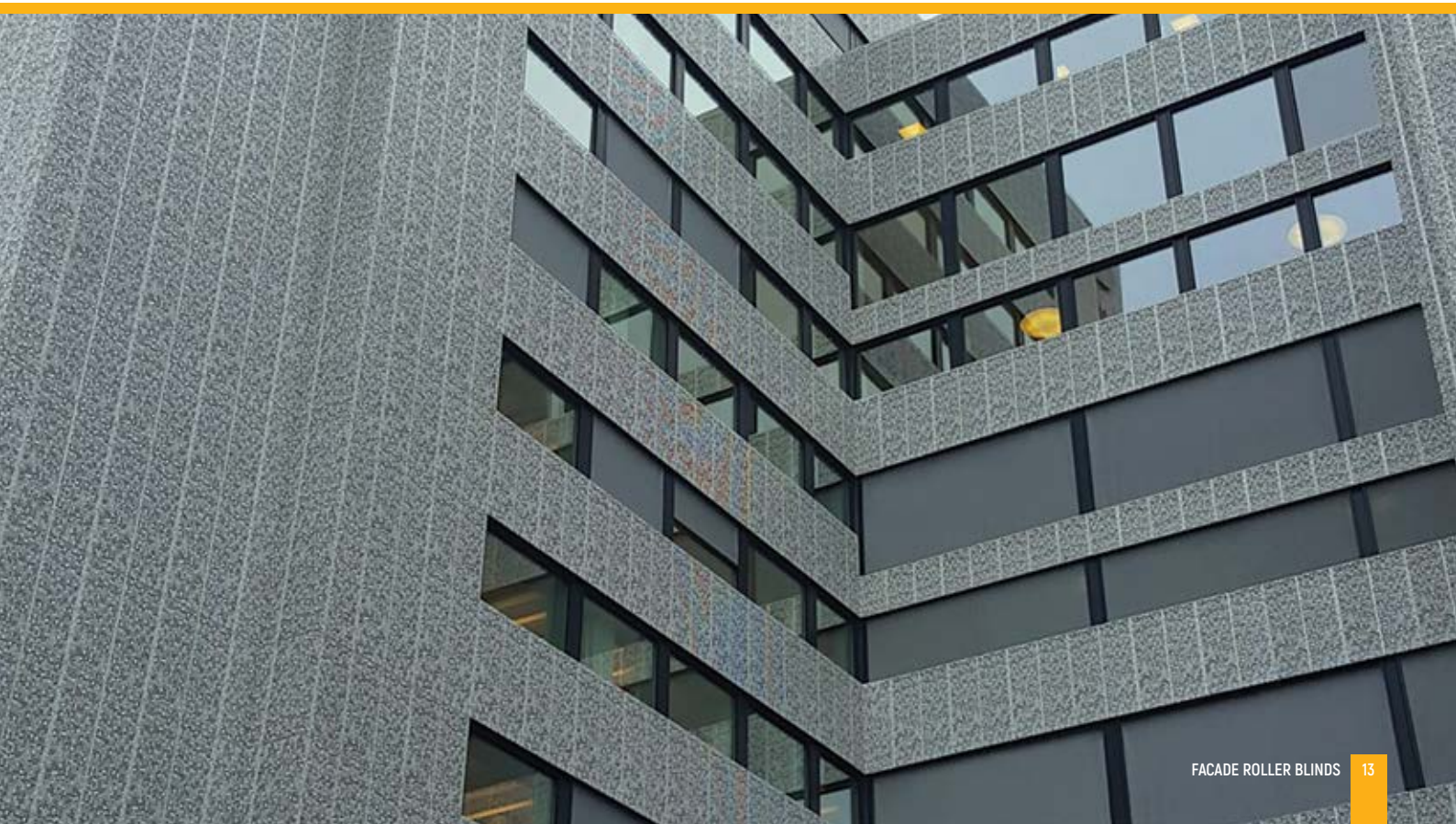
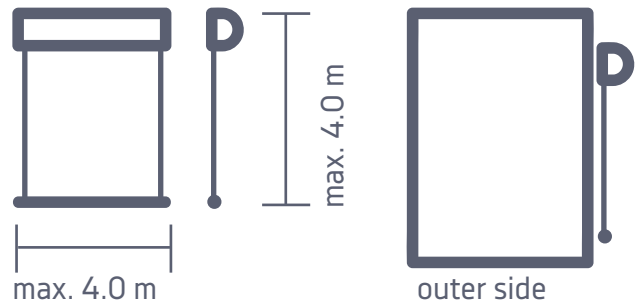
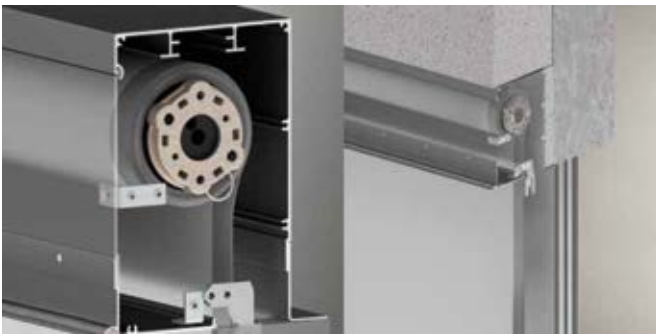
Technical specifications

Colors	RAL
Electric actuator	YES
Manual actuator	NO
Maximum width	4.0 m
Maximum height	4.0 m
For outdoor use	YES
For indoor use	NO

- Highly wind resistant.
- Extruded aluminum cassette installed under plaster.
- ZIIP mechanism.
- Two easily accessed and installed repair tabs.
- Wide assortment of fabrics.
- Electric actuator.
- The construction can be any RAL Color.

FEATURES

Facade roller blinds ZIIP BOX can be installed on the facade or in a recess. This roller blind system is highly wind resistant and electrically operated.





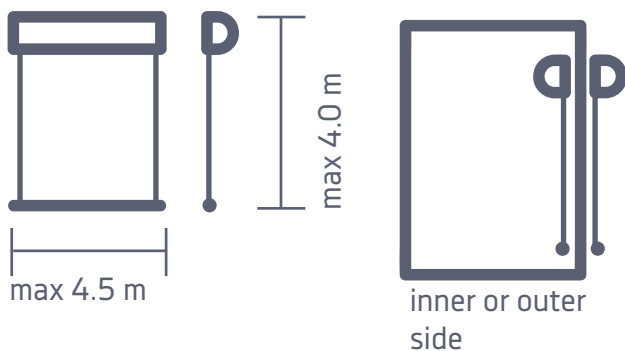
FACADE ROLLER BLINDS 103



Technical specification

Color	RAL
Electric actuator	YES
Manual actuator	NO
Extruded aluminum side guide rails	
For indoor use	YES
For outdoor use	YES
Maximum width	4.5 m
Maximum height	4.0 m
Wire guides for outer use	
Maximum width	3.5 m
Maximum height	3.0 m
Wire guides for outer use	
Maximum width	4.5 m
Maximum height	4.0 m

- Cassette made from extruded aluminum.
- Check-up can be done from the front side of the cassette.
- Extruded aluminum side guide rails or stainless steel wire guides.
- Additional wind protection profiles ANTIWIND can be ordered.
- Wide assortment of fabrics.
- Manual or electric actuator.
- Installed on walls, in recesses, or on facades.
- Can be installed in groups.
- You can order a variant of the construction where the entire weight is supported only with wide holder clips (no need to install a cassette).
- The construction can be any RAL Color.



FEATURES

Facade roller blinds 103 is a functional system which lets you can install wind protection profiles, well-designed wires with stretchers, and even a complete blackout system (only for indoor use) in it depending on the configuration. Side guide rails GC30F and GC30FD can be used as elements for holding the weight of the structure.





FACADE ROLLER BLINDS 90



Technical specification

Color	RAL
Electric actuator	YES
Manual actuator	YES

Extruded aluminum side guide rails

For indoor use	YES
For outdoor use	YES
Maximum width	3.0 m
Maximum height	4.0 m

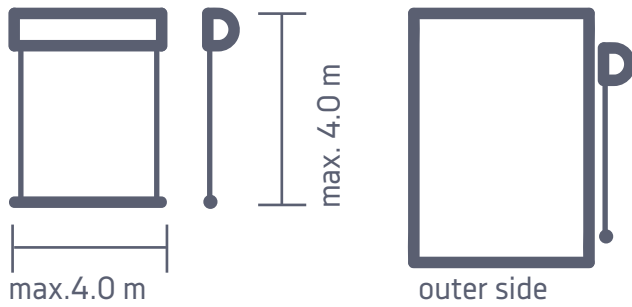
Wire guides for outer use

Maximum width	3.0 m
Maximum height	3.0 m

Wire guides for outer use

Maximum width	3.0 m
Maximum height	4.0 m

FEATURES



Facade roller blinds 90 is a great solution when the 103 system is too large. Depending on the selected configuration, you can also install a wind protection profile, well-designed wire guides with stretchers, and a complete blackout system (indoor use only).



- Cassette made from extruded aluminum.
- Check-up can be done from the front side of the cassette.
- Extruded aluminum side guide rails or stainless steel wire guides.
- You can additionally order wind protection profiles ANTIWIND.
- Wind assortment of fabrics.
- Manual or electric actuator.
- Installed on walls, in recesses, or on facades.
- You can order a variant of the construction in which the entire weight is supported only with wide holder clips (no need to install a cassette).
- The construction can be coated in any RAL Color.





FACADE ROLLER BLINDS 76

Technical specification

Color RAL

Electric actuator YES

Manual actuator YES

Extruded aluminum side guide rails

For indoor use YES

For outdoor use YES

Maximum width 2.6 m

Maximum height 2.6 m

Wire guides for outer use

Maximum width 2.6 m

Maximum height 2.6 m

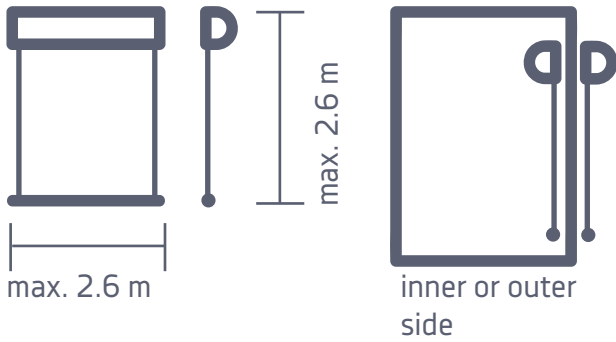
Wire guides for outer use

Maximum width 2.6 m

Maximum height 2.6 m



FEATURES



The best feature of Facade roller blinds 76 is their small cassette. Depending on the chosen configuration, you can install well-designed wire guides with stretchers or a complete blackout system (indoor use only).



- Cassette made from extruded aluminum.
- Check-up can be done from the back side of the cassette.
- Extruded aluminum side guide rails or stainless steel wire guides.
- Wide assortment of fabrics.
- Manual or electric actuator.
- Installed on walls, in recesses, or on facades.
- You can order a variant of the construction in which the entire weight is supported only by wide holder clips (no need to install a cassette).
- The construction can be any RAL Color.





FACADE ROLLER BLINDS XXL



Technical specifications

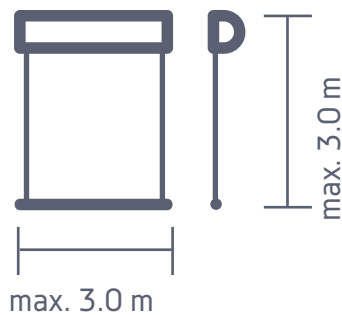
Color	RAL
Electric actuator	YES
Manual actuator	YES
Outdoor installation	
Maximum width	3.0 m
Maximum height	3.0 m
Indoor installation	
Maximum width	4.5 m
Maximum height	5.0 m

- No-cassette system.
- Wire guides made from stainless steel.
- Free-hanging system available only for indoor spaces.
- You can choose from different lower profiles.
- Wide assortment of fabrics.
- Manual or electric actuator.
- Installed onto walls or ceilings.
- The construction can be any RAL Color.

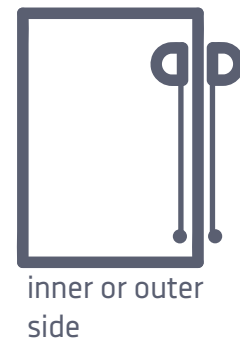
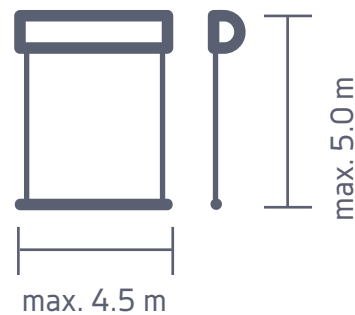
FEATURES

The best feature of the XXL system is its ability to cover up large surfaces. This system can be fixed onto a wall or ceiling using aluminum holder clips.

Outdoor installation



Indoor installation





FACADE ROLLER BLINDS XL

Technical specifications

Color	RAL
-------	-----

Electric actuator	YES
-------------------	-----

Manual actuator	YES
-----------------	-----

Outdoor installation

Maximum width	3.0 m
---------------	-------

Maximum height	3.0 m
----------------	-------

Indoor installation

Maximum width	4.0 m
---------------	-------

Maximum height	4.0 m
----------------	-------

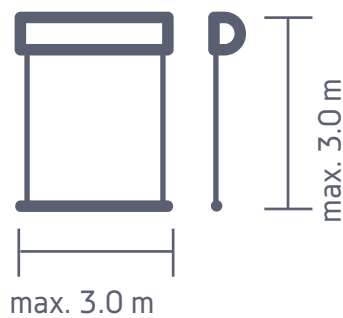


- No-cassette system.
- Aluminum holder clips.
- Wire guides made from stainless steel.
- Free-hanging system available only for indoor spaces.
- You can choose from different lower profiles.
- Wide assortment of fabrics.
- Manual or electric actuator.
- Installed on walls or ceilings.
- The construction can be any RAL Color.

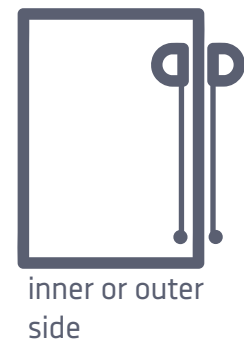
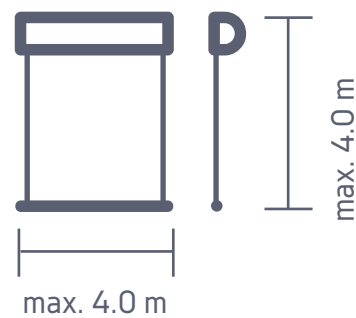
FEATURES

The facade roller blind XL system is a no-cassette system. Well-designed holder clips and stainless steel elements make this system a perfect fit for modern interiors.

Outdoor installation



Indoor installation



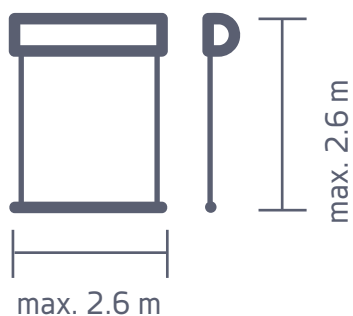


FACADE ROLLER BLINDS XS



Technical specifications

Colors	RAL
Electric actuator	YES
Manual actuator	YES
Maximum width	2.6 m
Maximum height	2.6 m
For outdoor use	NO
For indoor use	YES



outer side

- No-cassette system.
- Small aluminum holder clips.
- Stainless steel wire guides or a free-hanging system.
- Different lower profiles.
- Wide assortment of fabrics.
- Manual or electric actuator.
- Installed onto walls or ceilings.
- System only for use indoors.
- The construction can be any RAL Color.

FEATURES

Facade roller blinds XS is a no-cassette system. Well-designed holder clips and stainless steel elements make this system a perfect fit for modern interiors.





VERANDA

Technical specifications

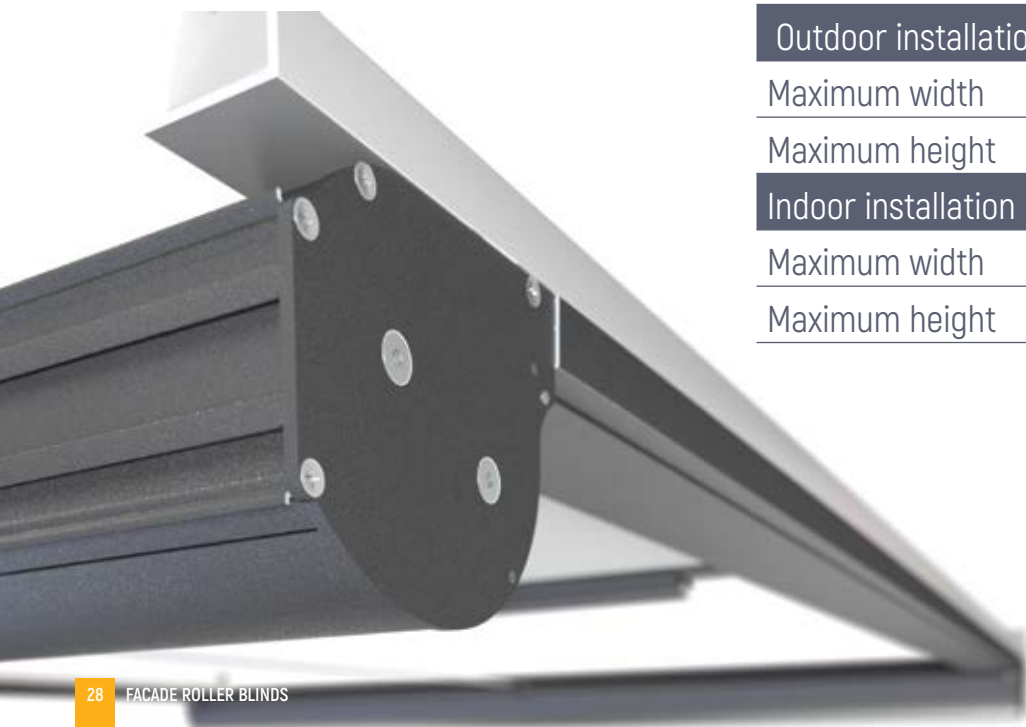
Color	RAL
Electric actuator	YES
Manual actuator	NO

Outdoor installation

Maximum width	4.5 m
Maximum height	5.0 m

Indoor installation

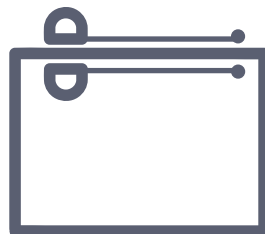
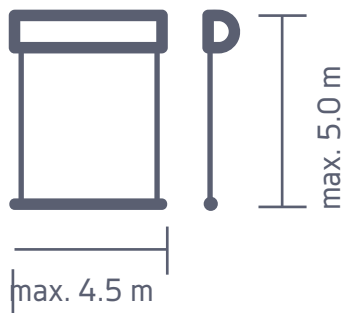
Maximum width	4.5 m
Maximum height	5.0 m



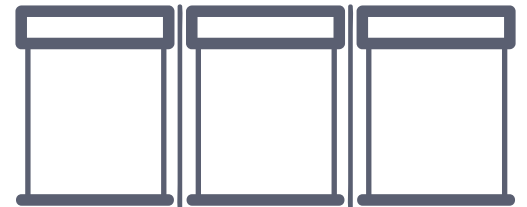
- Extruded aluminum construction.
- Fabric stretching system.
- Can be installed indoors or outdoors.
- Wide assortment of fabrics.
- Electric actuator.
- The system can be installed on a surface at any angle (the cassette must be placed horizontally).
- Can be installed in groups.
- The construction can be any RAL Color.

FEATURES

The Veranda system covers both horizontal and sloping surfaces, such as on winter gardens and roof windows. An inner stretching system always keeps the fabric tightly stretched, even on extremely large surfaces. The system can be implemented both indoors and outdoors.



inner or outer side



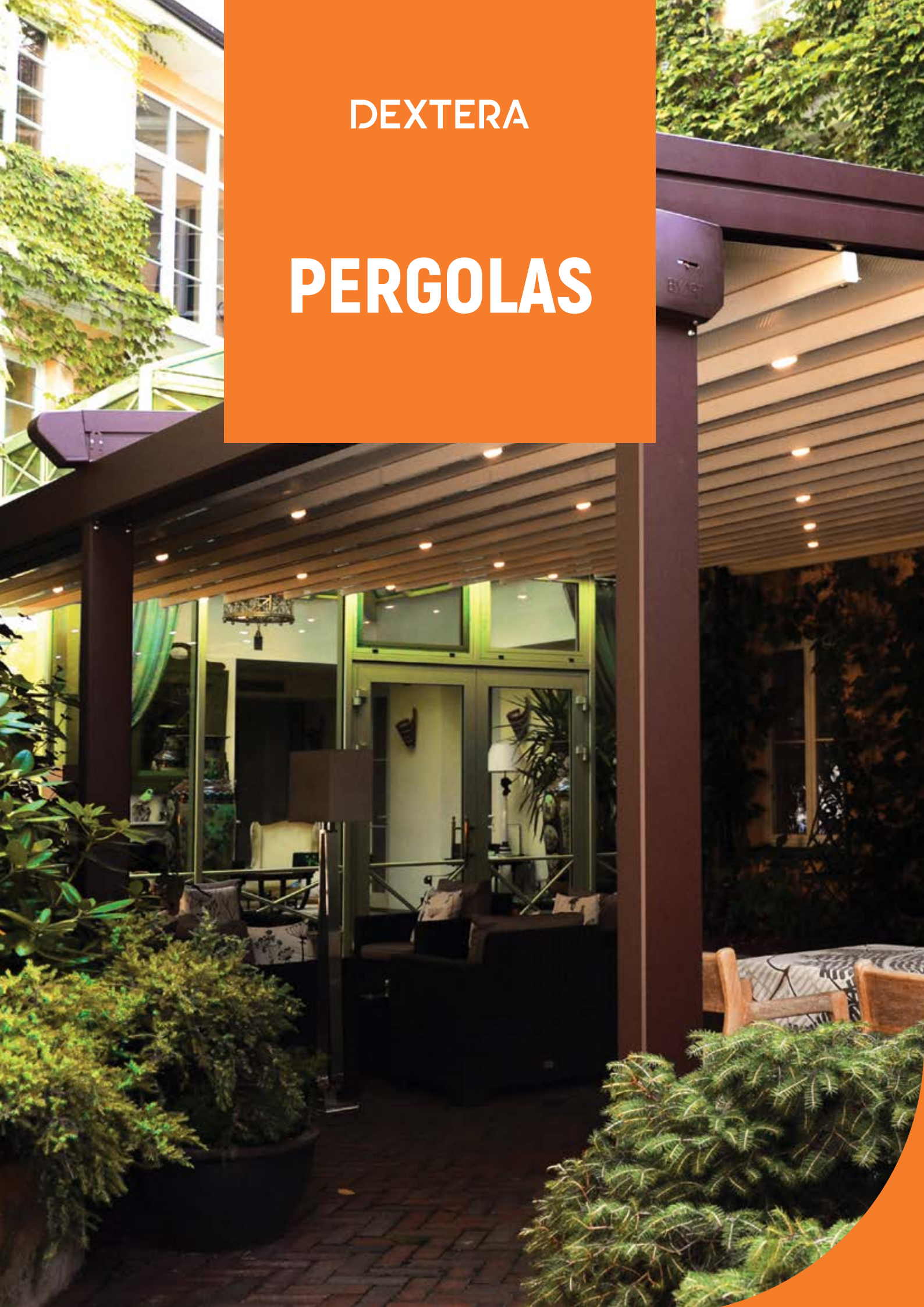
possible installation in groups

* more detailed information is provided in the price list



DEXTERA

PERGOLAS





PERGOLAS PERGOLINE

Technical specifications

Color	RAL
Maximum roof projection (without intermediate support)	16 m
Width	From 200 cm to 450 cm
Depth	From 400 cm to 900 cm
Structure	aluminum
Operating temperature	-30 °C +70 °C
Lightning	LED strips; LED bars
Column structure	aluminum, 100 mm x 100 mm

FEATURES

Pergolas stand out with their durable, modern, and functional design. The structural support is made from aluminum and fixed to a wall or ceiling using brackets and steel screws included in the set. Pergolas come in many different colors. Control system Radio Technology Somfy (RTS) produced by the French group Somfy is implemented in the products. The pergola has a Byart 3-Lens LED lightning system integrated in it; brightness can be adjusted using a remote control.



- Made using a durable aluminum construction with environment- and water-proof PVC fabric.
- Vertical glass system operated automatically with a remote control.
- Sliding roofs operated automatically with one press of a button.
- Integrated Byart 3-Lens LED lightning.
- Rain gutters implemented inside the columns for leaking down accumulated water.





PERGOLA ELEGANT

Technical specifications

Color	RAL
Width	From 100 cm to 400 cm
Depth	From 340 cm to 700 cm
Structure	aluminum
Operating temperature	-30 °C +70 °C
Lightning	LED strips; LED bars
Column structure	aluminum, 85 mm x 150 mm

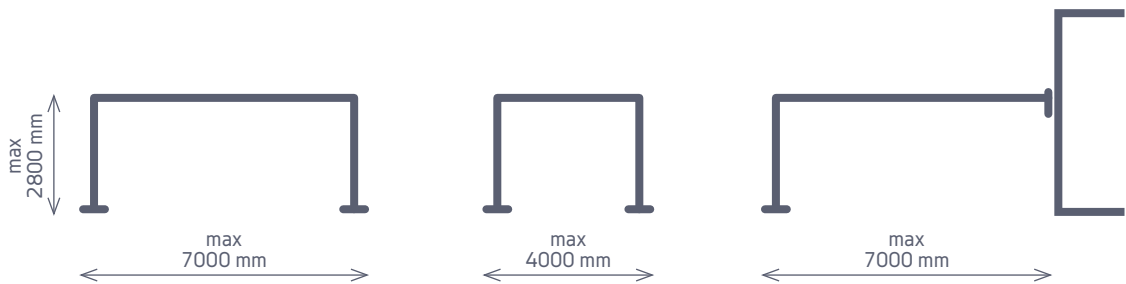
- Powder-coated aluminum profiles.
- Stainless & galvanized steel components.
- Protection against Sun, Rain & Wind.
- Mobile roof opens electrically.
- Water drainage system integrated with the construction.



FEATURES

The construction of the Pergolas is made of aluminum with stainless steel elements. The modern mobile roof opens electrically. Motors ensure IP 65 ingress protection of the enclosure. The Pergola has a LED lighting systems integrated in it.

Extend the dimensions of your system through modular connections. Systems are made to link up with one another to create your final vision.





PERGOLAS SMARTROOF

- Made using a durable aluminum construction with an environment- and water- proof PVC fabric.
- Vertical glass systems controlled automatically using a remote control.
- Sliding roofs operated automatically, with one press of a button.
- Integrated Byart 3-Lens LED lightning.
- Rain gutters implemented inside the columns for leaking down accumulated water.



SELECT

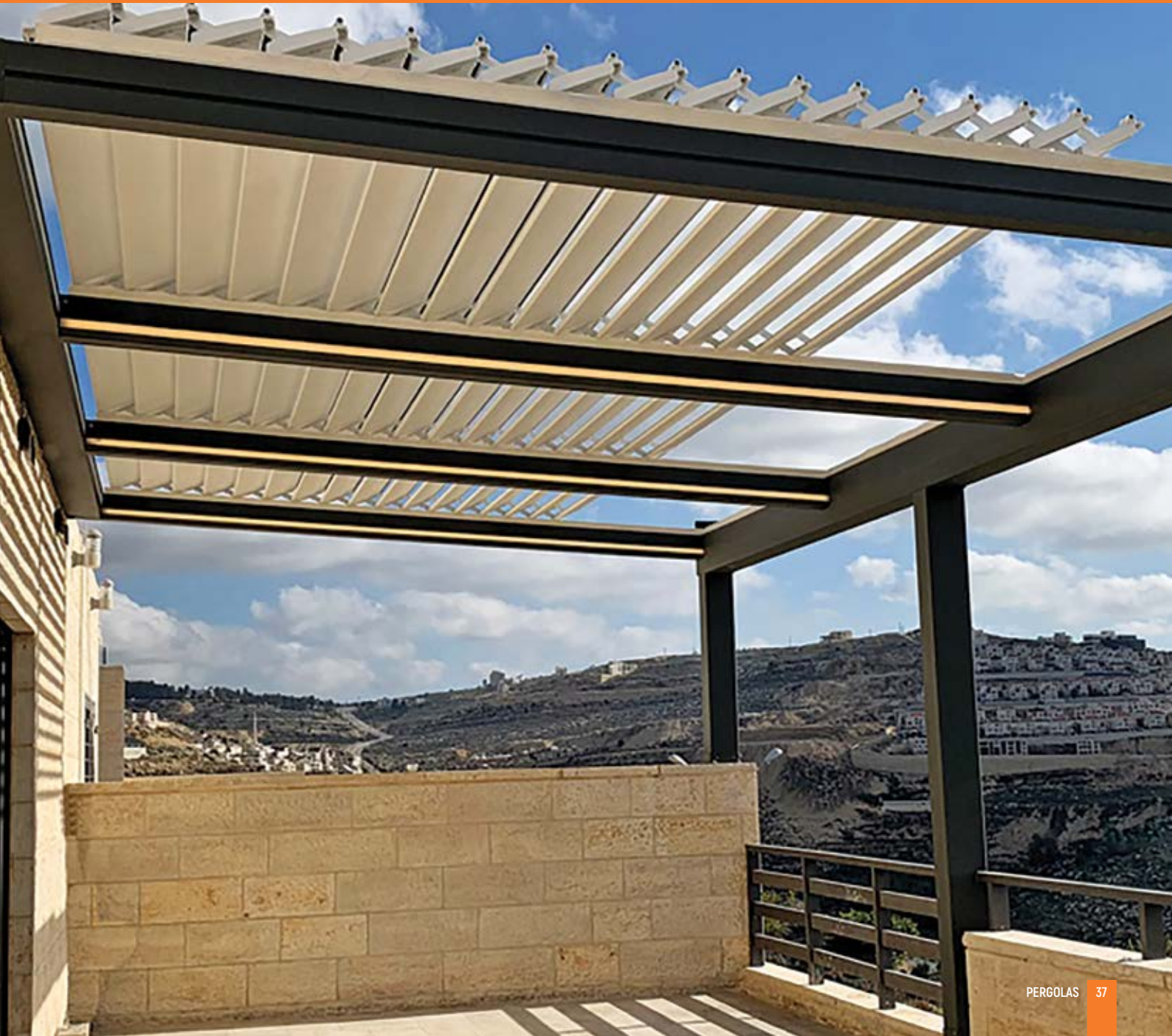


PRIME



FEATURES

SmartRoof is an exceptional solution for your home. This bioclimatic pergola is a durable, functional, and long-lasting system that helps expand your home with a cosy shelter from wind, rain and direct sunlight. The SmartRoof is characterized by its exceptional comfort, elegance, and modern sophistication.

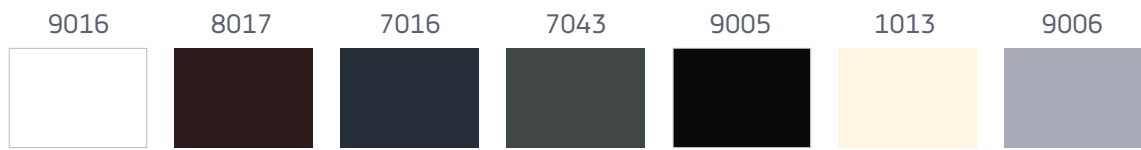




AUTOMATIC GLASS SYSTEMS

- VertiGlass is designed and manufactured with advanced technology to transform outdoor spaces into modern architectural and aesthetic structures.
- Thanks to the easy installation and minimalist design, these systems ensures an efficient use of spaces with its vertical operation feature.
- That brings an aesthetic appearance by adapting perfectly to many areas used for private or commercial purposes such as restaurants, terraces and balconies.
- It is a perfect combination of all pergola systems for more modern and aesthetically pleasing spaces.
- Standard design colors. Also the option to paint in any other RAL color at an additional cost.

Structure Colors



TripleMotion



DoubleMotion



SingleMotion



LiftMotion

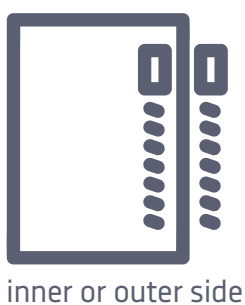
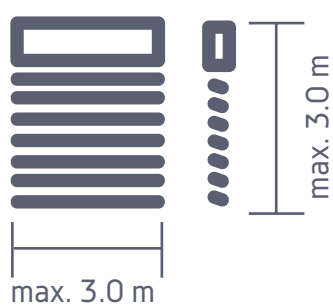
DEXTERA

FACADE BLINDS





FACADE BLINDS C50



Technical specifications

Lamela form	C
Color	RAL
Electric actuator	YES
Manual actuator	YES

Installation indoors

Maximum width	3.0 m
Maximum height	3.0 m

Installation outdoors

Maximum width	2.5 m
Maximum height	2.5 m





FEATURES

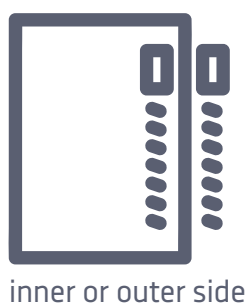
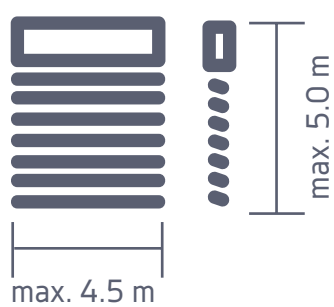
Unlike other traditional variants in the market, facade venetian blinds C50 have more durable lamels and can be used either indoors or outdoors. The ability to adjust the lamels lets you control the intensity of the light and increase the sense of comfort within the room.

- The facade venetian blinds are covered in 1.2 mm or 2.0 mm wide aluminum sheets.
- 4 different covering variants available.
- 49 mm wide C profile lamels.
- An even tilt angle ensures simple control of light intensity.
- Stainless steel guide rails 2.5 mm, 3 mm diameter woven polyamide.
- Heat treated textile resistant to stretching, wearing out and UV rays.
- Can be installed under plaster.
- Any number of modules can be ordered.
- Powder-coated construction.
- Manual or electric actuator.





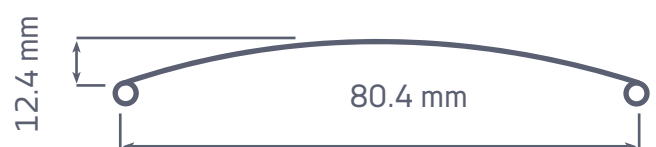
FACADE BLINDS C80



Technical specifications

Lamella form	C
Color	RAL
Electric actuator	YES
Manual actuator	YES
Maximum width	4.5 m
Maximum height	5.0 m
For outdoor use	YES
For indoor use	NO

possible installation in groups





FEATURES

The C80 is the most popular model of blinds for various weather conditions. The edges of every lamella are folded back, making them more durable. An even tilt angle ensures control of light intensity according to individual needs, which increases the sense of comfort within the room.



- Extruded aluminum box construction.
- You can choose between extruded guide rails or steel wire guides.
- You can order a structure that is supported only by holder clips.
- C-shape profile lamels with folded edges ensure additional durability.
- An even tilt angle ensures simple control of light intensity.
- Zinc and aluminum alloy pins.
- Polyester textile components reinforced with aramid, heat treated, resistant to stretching, wearing out and UV rays.
- Powder-coated construction.
- Possible installation under plaster.
- Any number of modules can be ordered.





FACADE BLINDS Z90



Technical specifications

Lamella form	Z
Color	RAL
Electric actuator	YES
Manual actuator	YES
Maximum width	4.5 m
Maximum height	5.0 m
For outdoor use	YES
For indoor use	NO

- Extruded aluminum box construction.
- You can order a structure that is only held by holder clips.
- Extruded aluminum guide rails.
- Z-shaped profile lamels provide a better dim-out effect.
- An even lamella tilt angle ensures simple control of light intensity.
- The lamella have noise-reducing spacers that suppress noise after closing the blinds.
- Zinc and aluminum alloy pins.
- Hagofix system ensures that the lamels are kept at a lower height.
- Polyester textile components reinforced with aramid, heat-treated, resistant to stretching, wearing out and UV rays.
- Can be installed under plaster.
- Any number of modules available to order.
- Powder-coated construction.
- Manual or electric actuator.

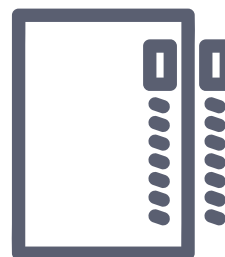
FEATURES

Unique Z-shaped slats ensure a more effective dimout in comparison with traditional C-shaped slats. An even lamella tilt angle ensures control of light intensity according to individual needs, which increases the sense of comfort within the room.



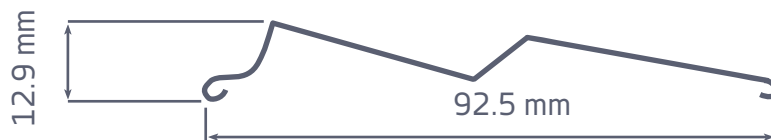


max 4.5 m
max 3.2 m
system height 5.0 m.



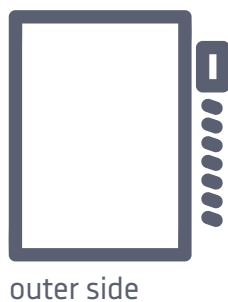
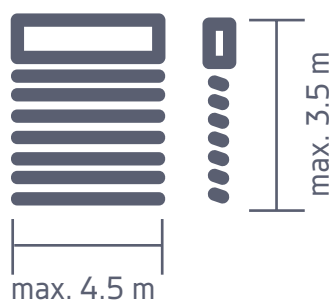
outer side

can be installed in groups





FACADE BLINDS Z90 BOX



Technical specifications

Color	RAL
Electric actuator	YES
Manual actuator	NO
Maximum width	4.5 m
Maximum height	3.5 m
For outdoor use	YES
For indoor use	NO





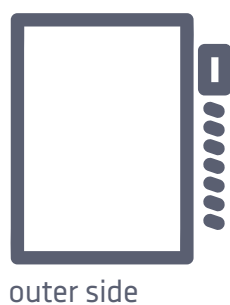
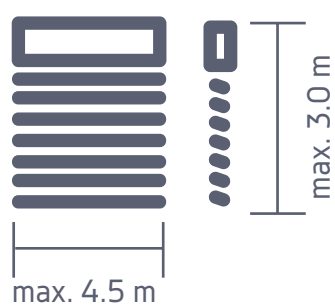
FEATURES

- Extruded aluminum cassette for installation under plaster.
- The repair tab helps you easily access and install roller blind systems.
- Electric actuator.
- Construction can be any RAL Color.





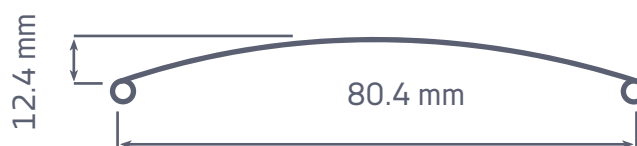
FACADE BLINDS C80 BOX



Technical specifications

Color	RAL
Electric actuator	YES
Manual actuator	NO
Maximum width	4.5 m
Maximum height	3.0 m
For outdoor use	YES
For indoor use	NO

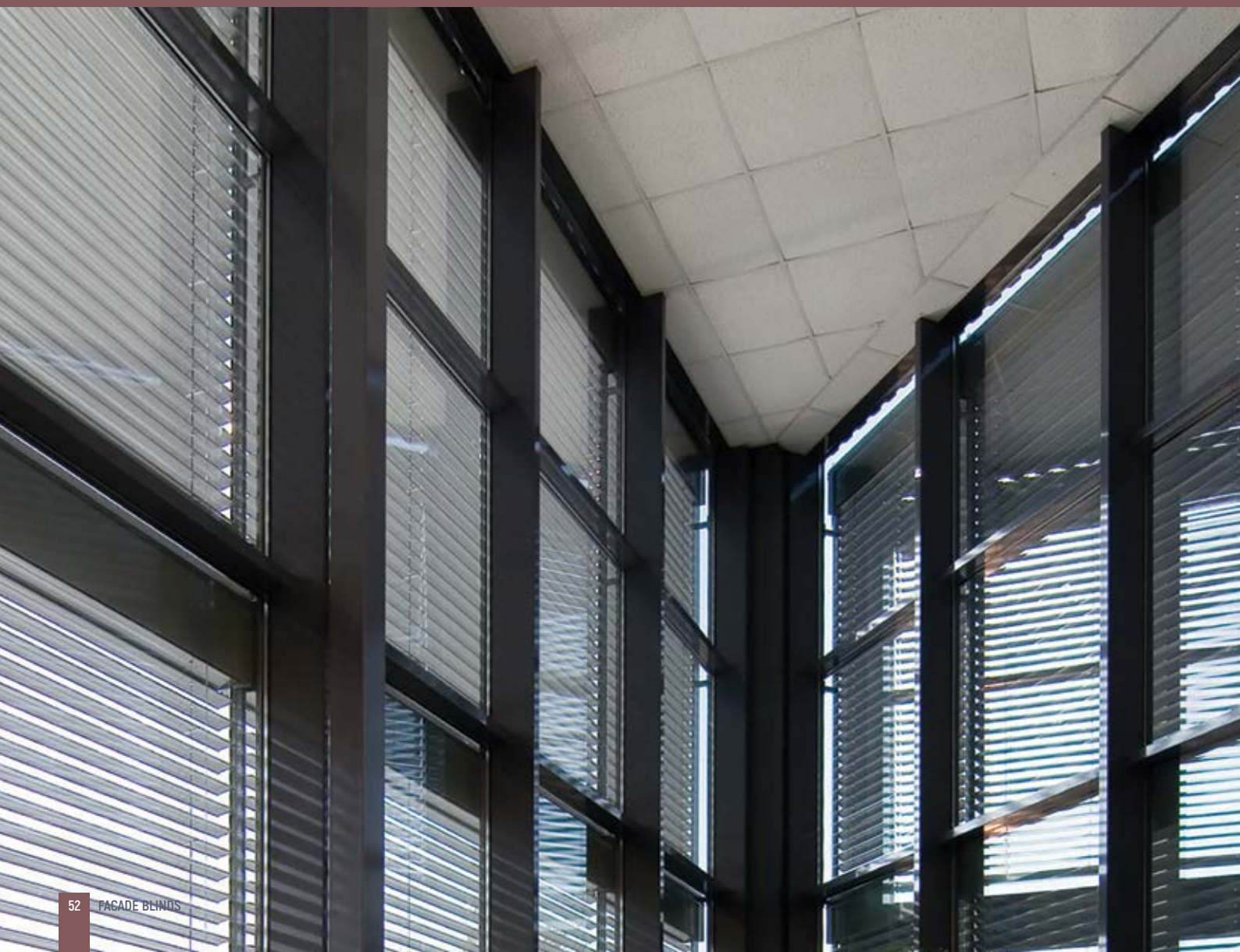
can be installed in groups





FEATURES

- Extruded aluminum cassette for installation under plaster.
- A repair tab helps you easily access and install roller blind systems.
- Electric actuator.
- Construction can be any RAL Color.



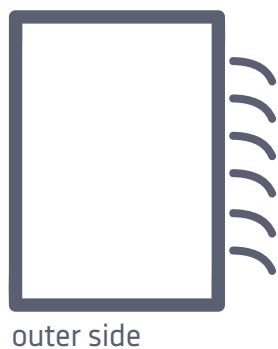
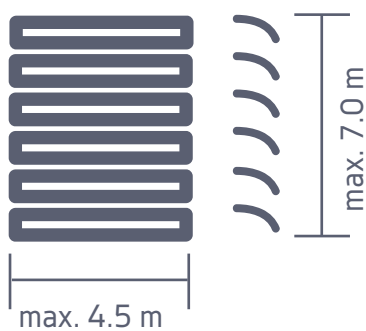


DEXTERA

**FACADE
LAMELLAS**

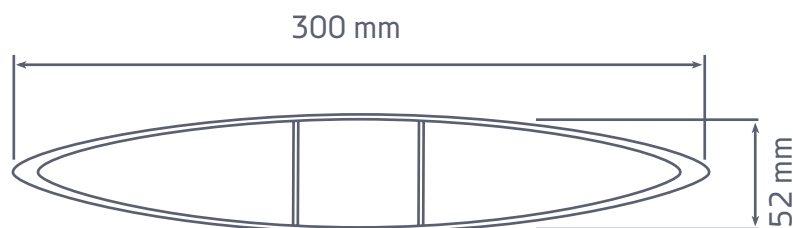


FACADE LAMELLAS 300, ROTATABLE

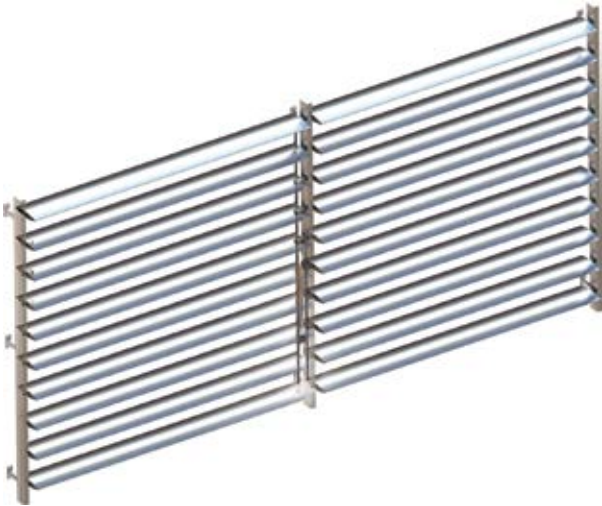


Technical specifications

Color	RAL
Electric actuator	YES
Manual actuator	NO
Maximum width	4.5 m
Maximum height	7.0 m
For outdoor use	YES
For indoor use	NO
Slat angle adjustment	YES



- Extruded aluminum construction.
- Elliptical 300 mm profile slats.
- Can be installed in groups.
- The slats can be rotated by 0 – 100 degrees.
- Operated using a linear actuator.
- Slat bearings in guide rails and the construction of actuator elements ensure quiet operation of the system when adjusting the slats.
- The system is fixed on the external supporting structure of the facade.
- Can be any RAL Color.



FEATURES

Facade lamels Sunbreaker 300 is a solar protection system installed on the facade of a building which protects large glass surfaces from overexposure to sun rays.

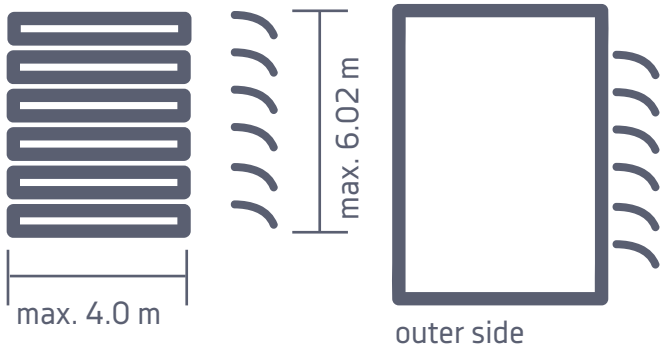
This solar protective system, characterized by a modern design that is easy to adapt to the aesthetic of the building, also functions as a facade decoration. An interesting design and a wide range of colors provides the building with a unique new look. The slat angle is adjustable (by 0° – 100°), so you can control the amount of natural light coming inside the building by choosing your desired level of dimout.

The Sunbreaker 300 system can significantly improve the energy balance of a building. Optimal building planning solutions reduce the amount of energy necessary for air conditioning by as much as 30% by allowing you to dim out up to 80% sunlight.



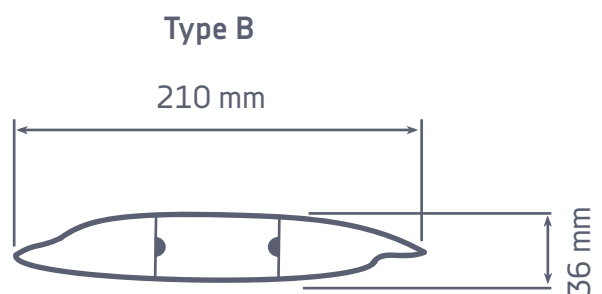
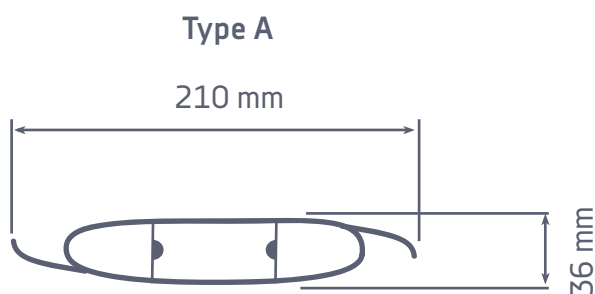


FACADE LAMELLAS 210, ROTATABLE



Technical specifications

Color	RAL
Electric actuator	YES
Manual actuator	YES
Maximum width	4.0 m
Maximum height	6.02 m
For outdoor use	YES
For indoor use	NO
Slat angle adjustment	YES



- Extruded aluminum construction.
- Two types of 210 mm wide slats:

Type A slats

For horizontal surfaces (e.g.: roof windows). Special shaped slats in a closed position provide protection from rain.

Type B slats

For horizontal and vertical surfaces (e.g.: building facades, openwork walls).

- Simple aluminum construction that ensures sturdiness and durability.
- Slats can be rotated by 0 – 90 degrees.
- They can be fixed either horizontally or vertically.
- Can be installed in groups.
- Slat rotation angle is adjusted using a linear actuator.
- Can be any RAL Color.
- Decreases air conditioning costs.

FEATURES

Sunbreaker 210 is an effective external solar protection system that can also function as a building decoration.

With the help of facade lamels, it is easy to adjust the amount of sunlight in a room while also avoiding glances of strangers. The slats and guiding rails are made from thin-walled aluminum extrusions, making the entire construction light and durable. Sunbreaker 210 is a moveable system. It can be installed either horizontally or vertically, and the slats can be rotated by 0 – 90 degrees. Sunbreaker 210 is an ideal way to make a building look more stylish and decrease the amount of energy used for air conditioning.





SUNBREAKER 210, FIXED

Technical specifications

Color	RAL
Electric actuator	NO
Manual actuator	NO
Maximum width	7.0 m
Maximum height	-
For outdoor use	YES
For indoor use	NO
Slat angle adjustment (in advance)	YES



- Extruded aluminum construction.
- 210 mm wide elliptical profile slats.
- Can cover both horizontal and vertical surfaces.
- The holder clips are fixed directly on the foundation, so you can choose the distance between slats while installing without the need to do it during the later stages.
- Simple aluminum construction ensures sturdiness and durability.
- You can choose from one of the predetermined slat angles 0° - 60° (every 15°).
- The aluminum end caps of the slats can be any RAL Color.

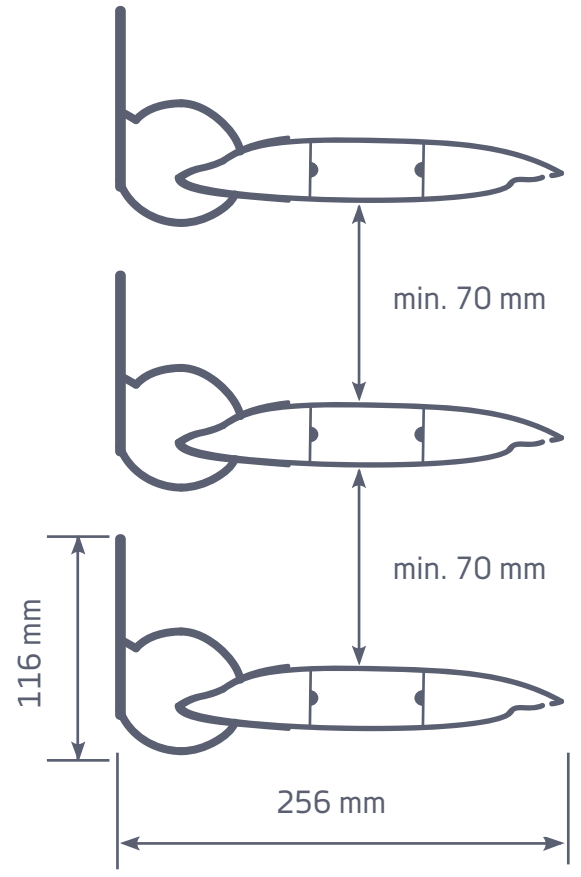
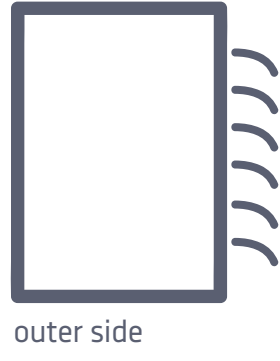


FEATURES

The Sunbreaker 210 system is an effective external solar protection system that enriches the facade, highlights its architectural characteristics, and makes the building look unique.

The slats and guiding rails are made from thin-walled extruded aluminum, making the entire construction simple yet durable. The facade lamels can be installed either horizontally or vertically on showcase windows of any size (even very large). The lamels can be integrated into a smart home system.



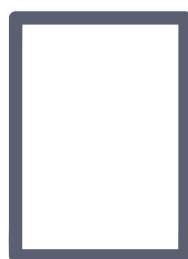




FACADE LAMELLAS CLIP



Z154



outer side

Technical specifications

Color	RAL
Electric actuator	NO
Manual actuator	NO
Maximum width	7.0 m
Maximum height	7.0 m
For outdoor use	YES
For indoor use	NO
Slat angle adjustment	NO

FEATURES

The Sunbreaker Clip system is made from light and durable slats, made from extruded aluminum. This system is great for solar protection and can also function as a building decoration. The product can be applied for different uses and is easy and quick to install.

- Light and durable extruded aluminum slats.
- It is possible to speed the installation up by using aluminum guide rails and intermediate holders.
- Extruded aluminum slat holders ensure durability and fast installation without the need for any special tools.
- Fixed slat angle.
- Slat type Z154.
- All slats use holders of the same type, making the system incredibly flexible.
- By using spacers of various lengths, the space between slats can be adjusted to suit the user's needs and local weather conditions.
- Can be any RAL Color.
Decreases air conditioning costs.



DEXTERA

ROLLER SHUTTERS

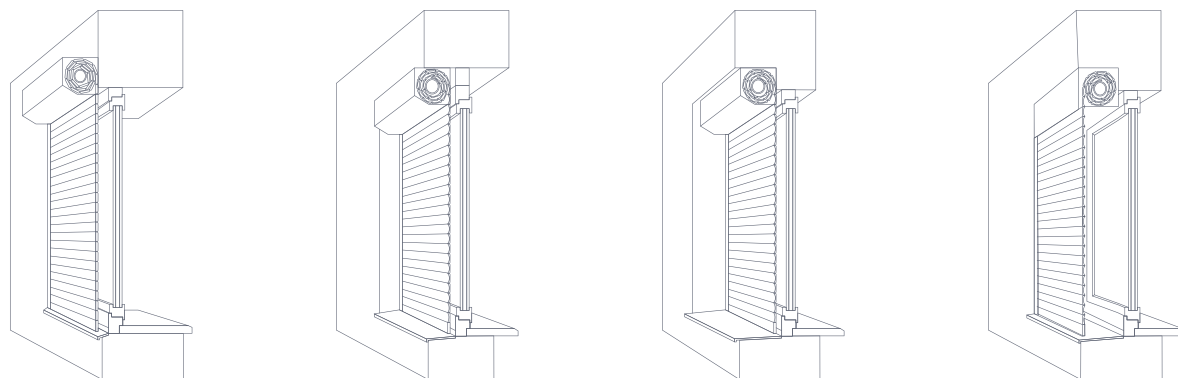




Roller shutters are a modern exterior solution for those who seek protection for ground floor windows of homes and commercial premises such as salons and shops. Roller shutters help ensure protection from burglars, strong wind, rain, sun rays and noise, and increase the energy efficiency of the building. These shutters preserve heat in winter and maintain a cool temperature indoors in summer. Made from high-quality aluminum, these aesthetically appealing roller shutters provide functional protection. Their profiles are highly resistant to wearing out and environmental impact.



Two types of aluminum profiles are available – the classic “warm” with a polyurethane filling, and the sturdy and durable extruded aluminum profile.



Product technical specifications

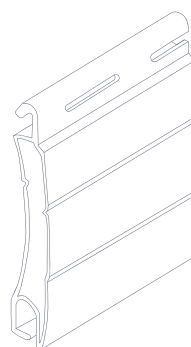
Profile	PD/39N	PD/45	AER/44S	PD/55mN	AG/77
Thickness, mm	8,5	8,5	9,0	11	19,00
Height, mm	39	45	44	55	77
Weight, kg/m	0,082	0,091	0,276	0,141	0,357
Weight kg/m ²	2,1	2,02	6,27	2,56	4,64
Max. blind width, m	2,9*	3,3*	4,3*	4,0*	7,0*
Max. blind area, m ²	5,7*	6,6*	12,8*	11,9*	26,9*
Colors	01, 03, 09, 13	01, 03, 09, 13	01, 03, 09, 13	01, 03, 09, 13,	01, 03, 09, 13

*no more than class 1 (10,6 m/s) wind resistance, according to the EN13659 classification

Mechanism colors

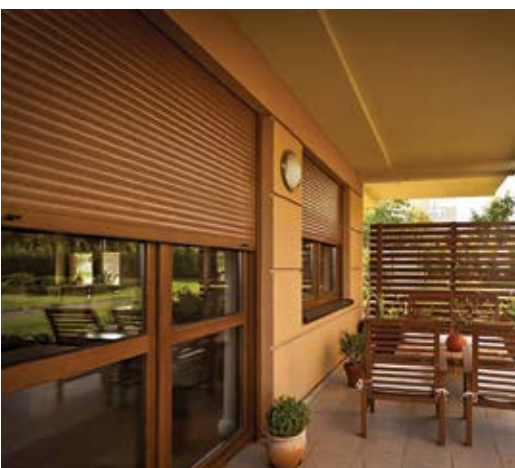
(box, guide rails, lower profile, armor)

- White (01)
- Gray (03)
- Anthracite (13)
- Brown (09)



Control system

Automatic Cord Spring



DEXTERA

AWNINGS





SUNNA APOLLO HELIOS ARINNA

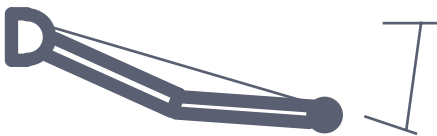
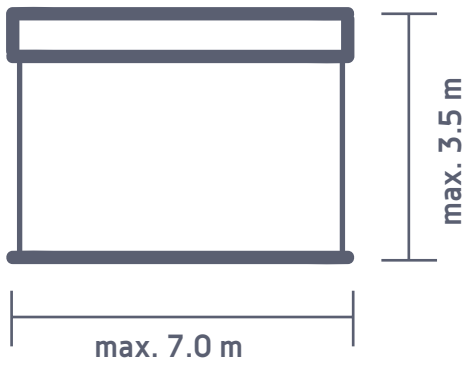
The first terrace awning
product line manufactured
in Lithuania



AWNING SUNNA

Technical specifications

Color	White, silver, brown, anthracite
Electric actuator	YES
Manual actuator	YES
Maximum width	7.0 m
Maximum depth	3.5 m
Cassette	NO
Angle of inclination	0°- 85° (wall), 0°- 85° (ceiling)
Minimum width	3,048 m
Acrylic fabrics	13 different + 8 waterproof
Green® fabric	2
Valance	YES
Pole diameter	78 mm
Elbows	Bendable elbows with chain
Manual control	Available handle length: 1.6 m
Automatic control	Motor, motor with emergency opening, remote control, wind sensor



0° - 85° wall installation
 0° - 85° ceiling installation

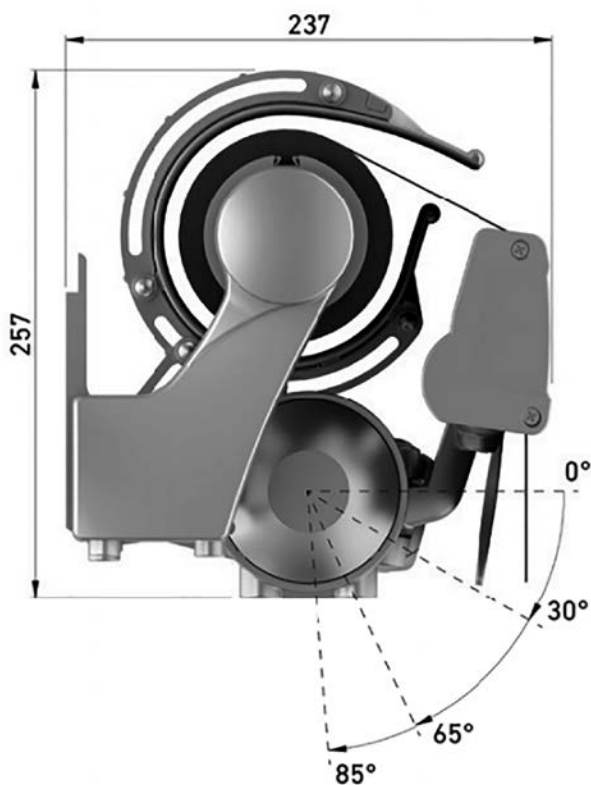
FEATURES

The exceptionally sturdy SUNNA awning is a combination of elegance and durability. It is the perfect solution for larger terraces and commercial buildings. This awning is a great fit for cafes, while also protecting private terraces from sunlight and curious glances of passers-by.

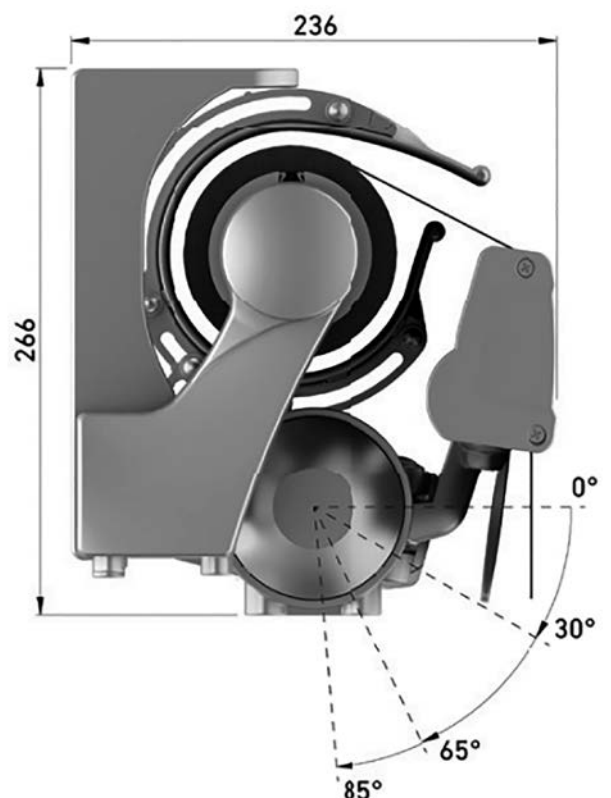
Precisely manufactured elbow connectors and the chains that connect them ensure the awning's durability and seamless operation. The construction is easy to assemble and powder-coated, making it resistant to scratches and corrosion.

You can choose from a white, silver, brown or anthracite construction.

wall installation



ceiling installation





The exceptionally sturdy SUNNA awning is a combination of elegance and durability.





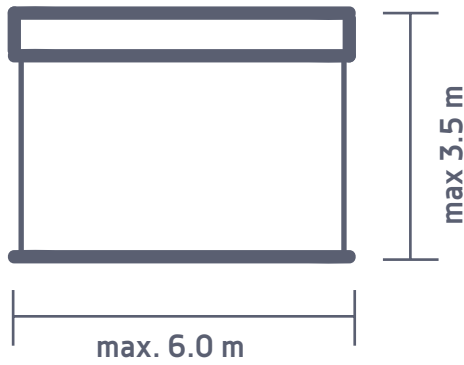
- Made in Lithuania for individual orders.
- Maximum width – 7 m, maximum depth – 3.5 m
- Long-lasting construction made from sturdy aluminum.
- Mechanical parts such as stainless steel screws and profile end caps are additionally protected by plastic covers, preventing the accumulation of dust and insects.
- Aluminum elbows are connected by a chain at the hinges, making the construction very durable. Vibration damping rubber pads are used at the joints.
- The awning is very easy to assemble and has a rain gutter system that facilitates its maintenance.
- The awning can be fixed onto a wall or ceiling.
- Adjustable angle of inclination.
- You can choose from automatic and manual control.
- A wide variety of additional accessories to choose from (a motor with emergency opening, remote control, wind sensor).



AWNING APOLLO

Technical specifications	
Color	White, silver, brown, anthracite
Electric actuator	YES
Manual actuator	YES
Maximum width	6.0 m
Maximum depth	3.5 m
Cassette	Semi-cassette
Angle of inclination	0°- 65° (wall), 0°- 65° (ceiling)
Minimum width	3,048 m
Acrylic fabrics	13 different + 8 waterproof
Green® fabric	2
Valance	YES
Pole diameter	78 mm
Elbows	Bendable elbows with chain
Manual control	Available handle length: 1.6 m
Automatic control	Motor, motor with emergency opening, remote control, wind sensor

FEATURES



0°- 65° wall installation
0°- 65° ceiling installation

The semi-cassette terrace awning APOLLO is characterized by its sturdiness and sophisticated design. Its parts are made from a special aluminum alloy, and the mechanisms are powder-coated, so the parts have a smooth, resistant coating that protects the surface.

The APOLLO awning has many excellent features, one of them being an elegant valance that provides additional protection from low-lying sun. The awning is easy to assemble. By installing additional wind sensors, you can ensure that the awning will remain safe even on windy days.

4 construction colors are available: white, silver, brown and anthracite.

- Made in Lithuania for individual orders.
- Maximum width – 6 m, maximum depth – 3.5 m.
- Aluminum elbows are connected by chain at the hinges, making the construction very durable. Vibration damping rubber pads are used at the joints.
- Includes a valance that provides additional protection from sunlight and a more elegant look.
- The awning can be fixed onto a wall or ceiling.
- Adjustable angle of inclination; you can choose from either automatic or manual control.
- By choosing an electric actuator, you will be able to operate the awning with little effort.
- A wide variety of additional accessories to choose from (a motor with emergency opening, remote control, wind sensor).





The semi-cassette terrace awning APOLLO is characterized by its sturdiness and sophisticated design.

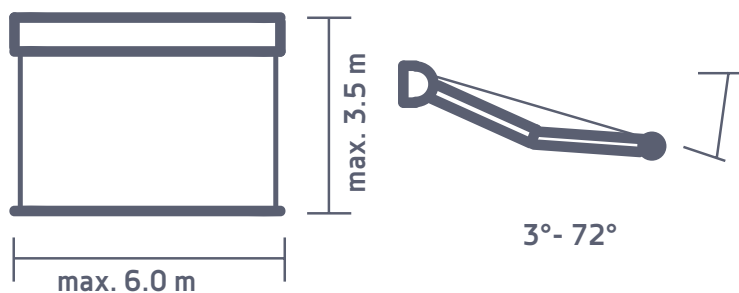




AWNING HELIOS

Technical specifications	
Color	White, silver, brown, anthracite
Electric actuator	YES
Manual actuator	YES
Maximum width	6.0 m
Maximum depth	3.5 m
Cassette	YES
Angle of inclination	3° - 72°
Minimum width	2,866 m
Acrylic fabrics	13 different + 8 waterproof
Green® fabric	2
Valance	NO
Pole diameter	78 mm
Elbows	Bendable elbows with chain
Manual control	Available handle length: 1.6 m
Automatic control	Motor, motor with emergency opening, remote control, wind sensor
Lighting	In the elbows. Color 3400 K; Power 8w/m

- Made in Lithuania for individual orders.
- Maximum width – 6 m, maximum depth – 3.5 m.
- Aluminum elbows are connected by a chain at the hinges, making the construction very durable. Vibration damping rubber pads are attached at the joints.
- The awning can be fixed onto a wall or ceiling.
- You can choose from either automatic or manual control.
- Adjustable angle of inclination.
- LED lighting in the elbows (two elbows of 2,5; 3,0; 3,5).



FEATURES

Terrace awning HELIOS is a reliable solar control system for those seeking durability. Due to its closed cassette, this awning can be installed anywhere, regardless of whether the area protected from environmental factors. The cassette protects the fabric from rain, snow, and dirt.

By installing an additional wind sensor, the awning will adapt to changing wind speed and retract on its own if necessary. A wide variety of additional accessories such as a motor with emergency opening, remote control and wind sensor will help you take full advantage of this awning.

4 construction colors are available: white, silver, brown and anthracite.

There is a choice of LED lighting in elbows.





Terrace awning HELIOS is a reliable solar control system for those seeking durability.



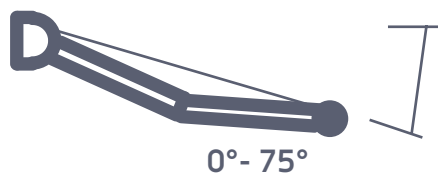
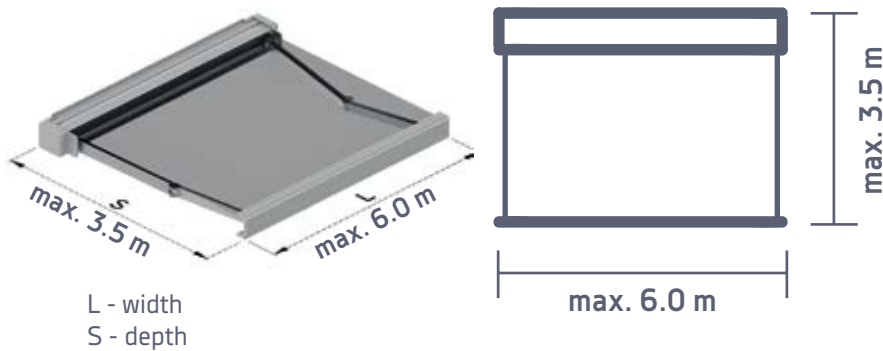


AWNING ARINNA

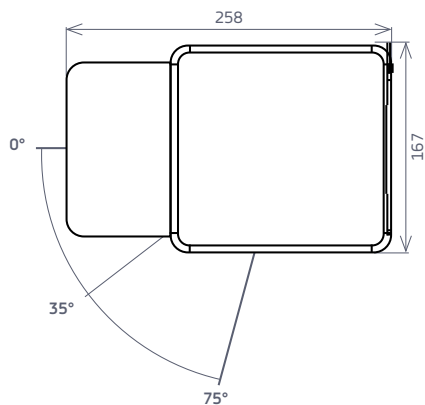
Technical specifications	
Color	Anthracite, Black
Electric actuator	YES
Manual actuator	YES
Maximum width	6.0 m
Maximum depth	3.5 m
Cassette	YES
Angle of inclination	0° - 75°
Minimum width	2,832 m
Acrylic fabrics	13 different + 8 waterproof
Green® fabric	2

Technical specifications	
Valance	NO
Pole diameter	78 mm
Elbows	Bendable elbows with chain
Manual control	Available handle length: 1.6 m
Automatic control	Motor, motor with emergency opening, remote control, wind sensor
Lighting	In the cassette and elbows. Color 3400 K; Power 8 w/m

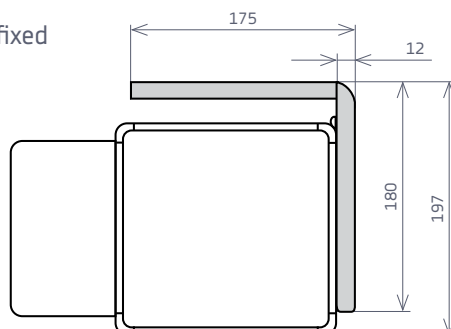
- Made in Lithuania for individual orders.
- Maximum width – 6 m, maximum depth – 3.5 m.
- Aluminum elbows are connected by a chain at the hinges, making the construction very durable. Vibration damping rubber pads are attached at the joints.
- The awning can be fixed onto a wall or ceiling.
- You can choose from either automatic or manual control.
- Two construction colors are available: anthracite and black.
- LED lighting in the elbows (two elbows of 2,5; 3,0; 3,5).



The awning can be fixed onto a wall:



The awning can be fixed onto a ceiling:



FEATURES

Terrace awning **ARINNA** is a reliable solar control system for those who like straight lines and simplified design. The square cassette is perfect for houses with flat and single-pitched roofs.

LED lighting in the elbows and in the cassette perfectly create a feeling of coziness and luxury.

Two construction colors are available: anthracite and black.

A wide variety of additional accessories such as a motor with emergency opening, remote control and wind sensors will help you take full advantage of this awning.

Possibility to choose not only black awning structure, but also black fabric.





AWNING CALIFORNIA PLUS

Technical specifications

Fabric type	acrylic
Dimensions	4950 x 3500 4500 x 3000
Frame Color	anthracite
Fabric Color	
AP1024	grey
AP1018	anthracite

- The cassette protects the fabric from rain, snow or dirt.
- The awning can be operated manually or with an electric actuator.
- Light and sturdy stainless aluminum construction.

FEATURES

The California Plus awning provides excellent protection from direct sunlight and allows you to adjust the area of a shadow.

In winter, the awning can be rolled back into the cassette, which protects the fabric from rain, snow and dirt.

Precisely made connectors guarantee a seamless and long-lasting operation of the awning mechanism. The California Plus awning helps you enjoy time spent with friends or family.



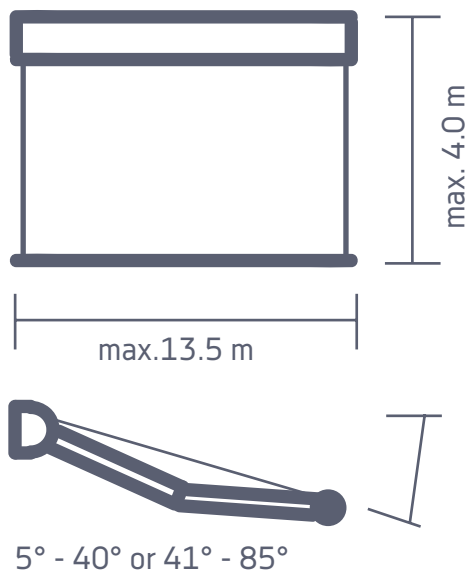


AWNING TERREA G60

Technical specifications	
Color	RAL9016, RAL9010, RAL7035, RAL9006, RAL9007, RAL7012, RAL7015, RAL7016, RAL7021, RAL8014. Can be any other RAL Color
Electric actuator	YES
Pole diameter	85 mm diameter
Projection	1,5 m; 2,0 m; 2,5 m; 3,0 m; 3,5 m; 4,0 m
Maximum projection	4000 mm
Awning support brace	NO
Elbows	Bendable, aluminum, with springs and strong chains
Overlapping elbows	YES
Cassette	NO

Technical specifications	
Maximum width	13.5 m
Maximum height	4.0 m
Angle of inclination	5° - 40°, arba 41° - 85°
Fabrics	250 different
Valance	Stationary or automatically extendable, remote-controlled
Manual control	Available handle lengths: 0,8 m; 1,0 m; 1,2 m; 1,4 m; 1,6 m; 1,8 m; 2,0 m
Installation	Wall, ceiling, or joists
Automatic control	Motor, motor with emergency opening, remote control, weather station, wind sensor

- German quality.
- Universal application.
- Protection from low-lying sun due to a possible 85° angle of inclination.
- A large selection of design options and fabrics.
- Easy to operate using an automatic control mechanism.
- A wide variety of additional accessories to choose from (motor with emergency opening, remote control, weather station, wind sensor, integrated LED light stripes, etc.)



FEATURES

Extremely high-quality terrace awning Terrea G60 is a great solution for those who are looking for a reliable terrace awning. This refined German-made awning will harmonize with your building's general design and ensure maximum comfort even when the sun is setting.

This awning stands out with its lateral protection against sunlight using an automatically extending valance (which moves vertically while operated with a remote control).

To create a feeling of cosiness, additional LED light stripes can be integrated into the front profile of the awning. By installing additional wind sensors, you will ensure the safety of the awning in any kind of weather.



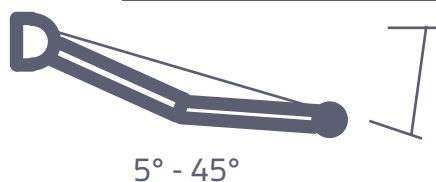
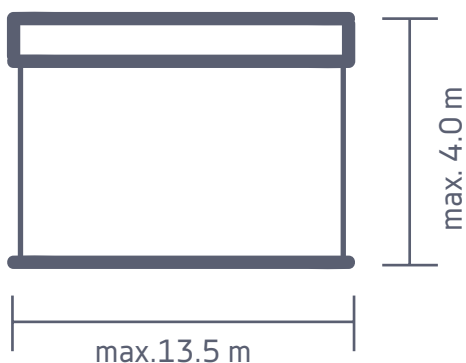


AWNING TERREA H60

Technical specifications	
Color	RAL9016, RAL9010, RAL7035, RAL9006, RAL9007, RAL7012, RAL7015, RAL7016, RAL7021, RAL8014. Can be any other RAL Color
Electric actuator	YES
Pole diameter	85 mm diameter
Projection	1,5 m; 2,0 m; 2,5 m; 3,0 m; 3,5 m; 4,0 m
Maximum projection	4000 mm
Manual actuator	YES
Elbows	Bendable, aluminum, with springs and strong chains
Overlaying elbows	YES
Awning support	NO
Cassette	Semi-cassette
Maximum width	13.5 m

Technical specifications	
Maximum depth	4.0 m
Angle of inclination	5° - 45°
Fabrics	250 different
Valance	Stationary or automatically extendable, remote-controlled
Manual control	Possible handle lengths: 0,8 m; 1,0 m; 1,2 m; 1,4 m; 1,6 m; 1,8 m; 2,0 m
Installation	Wall, ceiling or joists
Automatic control	Motor, motor with emergency opening, remote control, weather station, wind sensor
Accessories	Integrated LED light strips, possible graphics on fabric

- German quality.
- Cassette protects the fabric.
- Elbows with strong chains.
- You can choose to have additional fabric protection at the bottom.
- Extendable valance will provide protection from low-lying sun (optional).
- Wide variety of design options and fabrics to choose from.
- Easy to operate using an automatic control mechanism.
- A wide variety of additional accessories to choose from (motor with emergency opening, remote control, weather station, wind sensor, integrated LED light strips, etc.).



FEATURES

Semi-cassette terrace awning Terrea H60 is both refined in design and functional. An elegant cassette provides reliable protection for the fabric and elbows of the awning.

You may choose to have additional fabric protection at the bottom for this type of awning. A rain cover will ensure optimal protection from harsh weather conditions.

The cosy lightning of the terrace can be controlled from a distance by additionally integrating LED diode strips in the Terrea H60 awning. If a weather station or wind sensor is installed, the awning will adapt to weather conditions and retract if necessary. This exceptional quality awning is made according to individual dimensions by a German sun control company WAREMA.



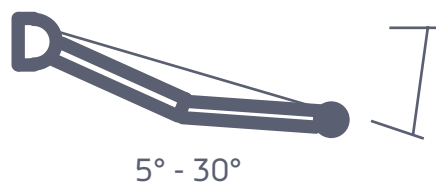
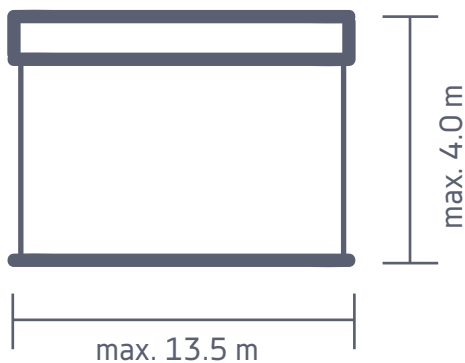


AWNING TERREA K60

Technical specifications	
Color	RAL9016, RAL9010, RAL7035, RAL9006, RAL9007, RAL7012, RAL7015, RAL7016, RAL7021, RAL8014. Can be any other RAL Color
Electric actuator	YES
Pole diameter	78 mm diameter
Projection	1,5 m; 2,0 m; 2,5 m; 3,0 m; 3,5 m; 4,0 m
Maximum projection	4000 mm
Manual actuator	YES
Elbows	Bendable, aluminum, with springs and strong chains
Overlying elbows	YES
Awning support	NO
Cassette	YES

Technical specifications	
Maximum width	13.5 m
Maximum depth	4.0 m
Angle of inclination	5° - 30°
Fabrics	250 different
Valance	Stationary or automatically extendable, remote-controlled
Manual control	Available handle lengths: 0,8 m; 1,0 m; 1,2 m; 1,4 m; 1,6 m; 1,8 m; 2,0 m
Installation	Wall, ceiling or joists
Automatic control	Motor, motor with emergency opening, remote control, weather station, wind sensor

- Ensures privacy and protection from low-lying sun using a rolling valance.
- Wide variety of design options, colors and fabrics to choose from.
- WMS Comfort control ensures exceptional comfort.
- Automatic sun, sunrise, sunset, and temperature function control using a weather station.
- A wide variety of additional accessories to choose from (motor with emergency opening, remote control, weather station, wind sensor).
- Elbows with strong chains.
- German quality.



FEATURES

Cassette awning Terrea K60 is a reliable solar control system for covering large surfaces. Due to its closed cassette, this incredibly sturdy awning can be installed anywhere, regardless of whether the place is protected from environmental factors.

This premium-class awning has many excellent qualities, one of them being protection from low-lying sun by using an automatically extending valance (moves vertically by using a remote control). WMS Comfort control will ensure maximum comfort on the terrace. Terrea awnings are made according to individual dimensions by a German solar control company WAREMA.



NEW

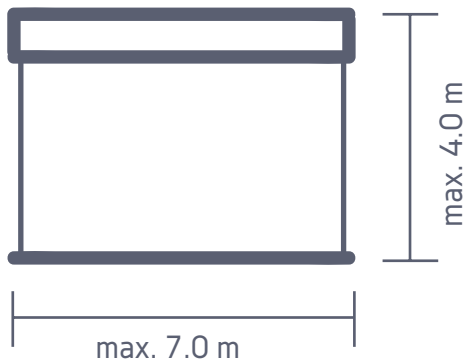


AWNING TERREA K70

Technical specifications

Electric actuator	YES
Max. angle of inclination	35° (with regulating holder)
Actuator	Motor, optional: WMS radio wave operated motor
Maximum width	7 m
Maximum depth	4 m
Installation	Wall, ceiling, or joists
Cassette	YES
Fabrics	Standart / Lumera acrylic, acrylic optionally adapted for any kind of weather
Valance	Maximum valance height 1800mm
Additional accessories	Integrated LED strip lights, radiant heater and WMS wind sensor

- German quality.
- Various design variants due to a wide selection of construction and frame colors.
- The cassette ensures reliable fabric and elbow protection from dirt and harsh weather conditions.
- Installed onto walls, ceilings, or joists.
- Modern and reliable functionality.
- Fully integrated WMS Control that ensures exceptional comfort.
- Possibility of LED lightning, radiant heater, and WMS wind sensor integration.



FEATURES

With its unique cubic design and high quality, the Terrea K70 awning is a reliable solution for a terrace. This refined German-made awning will harmonise with the building's general design. This type of awning will ensure maximum comfort; due to its small dimensions and rectangular construction, it seamlessly blends into cubic architectural creations with flat or single-slope roofs.



NEW

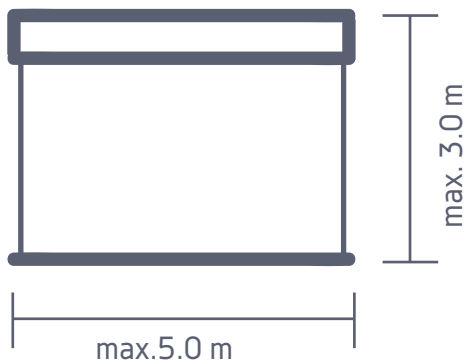


AWNING TERREA K50

Technical specifications

Electric actuator	YES
Max. angle of inclination	35° (with regulating holder)
Actuator	Motor, optional: WMS radio wave operated motor, solar-powered actuator, handle
Maximum width	5 m
Maximum depth	3 m
Installation	Wall, ceiling, or joists
Cassette	YES
Fabrics	Standart / Lumera acrylic, acrylic optionally adapted for any kind of weather
Additional accessories	Integrated LED strip lights, radiant heater and WMS wind sensor

- German quality.
- A small installation distance from the walls and ceiling.
- Unique cubic design.
- Flat and compact design of small dimensions.
- Installation onto walls, ceilings, or joists.
- Possibility of LED lightning, radiant heater, and WMS wind sensor integration.



FEATURES

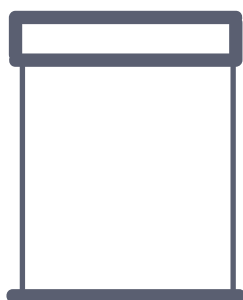
High-quality terrace awning Terrea K50 is a reliable solution for a terrace. Enjoy optimal shade even in the smallest of terraces or balconies. This cassette awning is especially fitting for small areas. This refined German-made awning will harmonise with your building's general design. An awning of this type will ensure maximum comfort. Due to its closed cassette, Terrea K50 can be installed in either protected or unprotected areas.



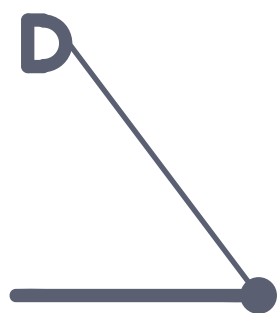
BALCONY AWNINGS



AWNING ITALIA



max. 5.0 m



max. 1.8 m

Technical specifications

Color	white, silver, beige, brown, graphite
Electric actuator	YES
Manual actuator	YES
Maximum width	5.0 m
Maximum depth	1.8 m
Cassette	NO
Angle of inclination	5° - 35°
Fabrics	140 different
Valance	YES

FEATURES



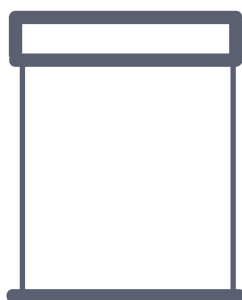
The Italia awning is great for covering window recesses, showcase windows, balconies, terraces and verandas. Its construction, made by engineers, keeps the fabric tightly stretched and prevents the elbows from bending due to wind pressure. The weight of the construction is distributed between the elbows and the locking pins, so you can install Italia awnings even in places where the installation surface is not typically suitable for terrace awnings with bendable elbows. The construction parts are powder-coated, which protects metal surfaces from corrosion.

- Easy to install due to the position of the locking pins and separately installed elbows.
- The elbow spring tightly stretches out the fabric and prevents it from bending due to wind pressure.
- The construction is made from extruded aluminum.
- Easy to operate using an automatic control mechanism.

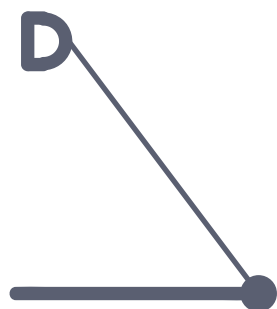




AWNING ITALIA BOX



max. 5.0 m



max. 1.4 m

Technical specifications

Color	white, silver, beige, brown, graphite
Electric actuator	YES
Manual actuator	YES
Maximum width	5.0 m
Maximum depth	1.4 m
Cassette	YES
Fabrics	140 different
Valance	YES



FEATURES

The Italia Box awning provides excellent protection from direct sunlight to window recesses, showcase windows, balconies, terraces and verandas.

They are unique in that they can be installed even in places where the installation surface is not typically fit for balcony awnings with bendable elbows.

Its lowerable elbows are connected using a special spring, which keeps the fabric tightly stretched and prevents the elbows from bending due to wind pressure. The weight of the construction is distributed between the elbows and the locking pins.

- The awning is easy to install due to the position of the locking pins and separately installed elbows.
- The construction is made from extruded aluminum.
- The awning is controlled using a simple automatic control mechanism.
- The cassette protects the fabric from external environmental factors.

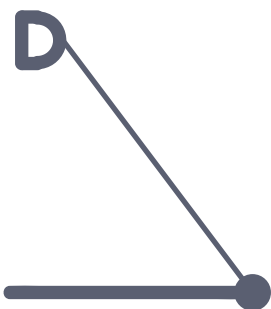




AWNING ITALIA BALCONY



max. 5.0 m



max. 0.7 m

Technical specifications

Color	white, silver, beige, brown, graphite
Electric actuator	NO
Manual actuator	YES
Maximum width	5.0 m
Maximum depth	0.7 m
Cassette	NO
Fabrics	140 different
Valance	YES

- Due to an extruded aluminum construction, the mechanism is long-lasting.
- Easy to assemble due to separately installed elbows and locking pins on the edge of the pole.
- The elbow construction can be fixed onto the balcony railing.
- Hooks on both ends of the elbows allow you to choose from two fabric fixing options.
- The angle of inclination is easy to adjust due to the elbow construction.

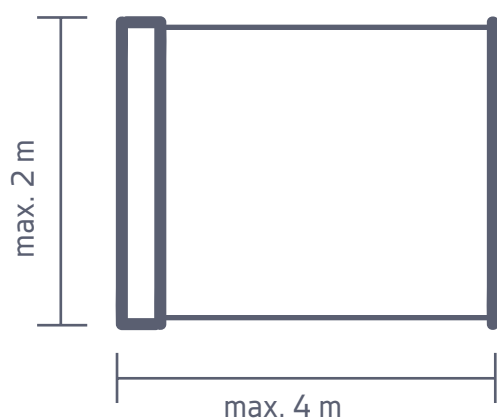
FEATURES

The Italia Balcony awning will beautify either a balcony or a terrace. This awning not only provides excellent protection against sunlight – it is also a striking exterior detail. Rolling up the fabric using special springs ensures the necessary level of stretching. The elbows are fixed onto the balcony railing, so you can easily adjust the angle of inclination. Due to its simple construction, the awning is easy to assemble. The construction is powder-coated, making it corrosion-proof.



VERTICAL AWNINGS

AWNING BORA



Technical specifications

Color	white, silver, beige, brown, graphite
Electric actuator	NO
Manual actuator	YES
Maximum height	2.0 m
Minimum height	1.1 m
Maximum projection	4.0 m
Cassette	YES
Fabrics	140 different

- 3 installation options: hard surface, soft surface, and wall.
- The construction is made from extruded aluminum and is resistant to corrosion and deformation.
- The cassette protects the fabric from environmental factors.

FEATURES

The Bora is a vertical awning, installed in balconies and terraces, or as an additional element of another awning or a pergola. It protects you from not only the curious glances of passers-by, but also the sun and wind.

The Bora awning is a great fit for restaurants and individual houses. You can choose from as many as 5 color options, including white, beige, brown, graphite and silver.



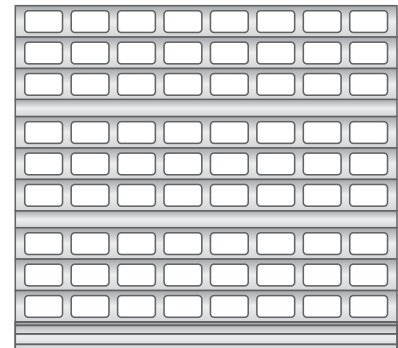
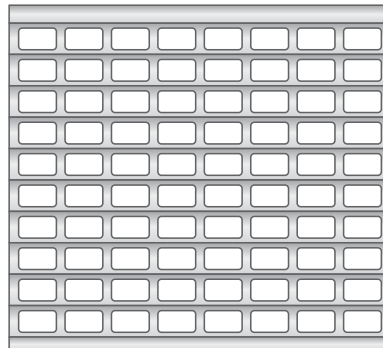
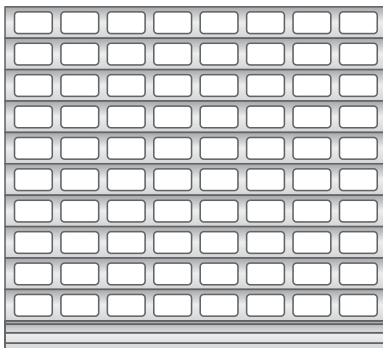
DEXTERA

SECURITY GRILLES





ALUMINUM GRILLES



Aluminum security grilles are a moving system that is most often used for closing entrances to shops inside shopping malls. Due to their wide range of colors, these aluminum security grilles are easy to adapt to both the exterior and interior of a building. The grilles are incredibly sturdy and durable, UV resistant, and made from extruded aluminum profiles.

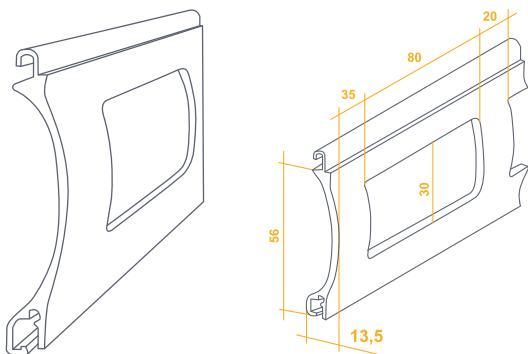
Aluminum security grilles are usually installed in:

- showcase windows;
- shopping malls;
- offices;
- different technical premises, such as warehouses, garages, underground parking lots.



ALUMINUM SECURITY GRILLES AEG/56

56 mm extruded aluminum profile used to protect showcase windows on commercial premises. It is a very sturdy cast aluminum profile with rectangular holes that keeps the windows of premises such as shops, salons, banks, and offices secure but not completely covered up. The AEG/56 system is used for grilles up to 3,0 m in width.



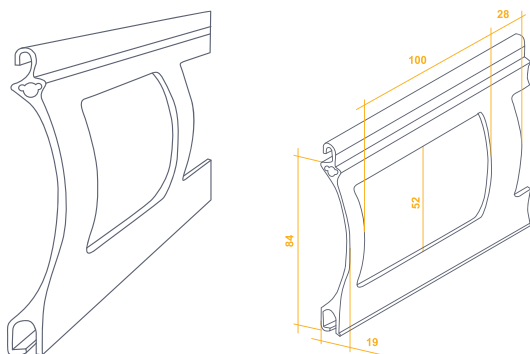
Technical specifications

Profile	AEG/56
Thickness, mm	13,50
Height, mm	56
Weight, kg/m	0,348
Weight, kg/m ²	6,22
Quantity, pcs/m	17,86
Max. width, m	3
Max. area m ²	7,50
Control	Motor and automatic
Labelling example	AEG/84 - 84 mm extruded aluminum profile
Colors	White, brown, grey, silver



ALUMINUM SECURITY GRILLES AEG/84

84 mm extruded aluminum profile is used to protect showcase windows of commercial premises. It is a very sturdy extruded aluminum profile with rectangular holes which keeps the windows of premises such as shops, salons, banks and offices secure but not completely covered up.



Technical specifications

Profile	AEG/84
Thickness, mm	19
Height, mm	84
Weight, kg/m	0,598
Weight, kg/m ²	7,12
Quantity, pcs/m	11,91
Max. width, m	5,5
Max. area m ²	16,5
Control	Automatic
Labelling example	AEG/84 - 84 mm ekstrudered aluminum profile
Colors	White, brown, grey, silver



STEEL ROLLER GRILLES

These grilles are made from galvanized steel. The long-lasting, high-quality galvanized steel used in manufacturing the grilles is resistant to environmental exposure. Galvanized steel grilles are resistant to corrosion, precipitation, and UV light. These roller grilles meet the safety and performance requirements in accordance with the EU standard EN 13241- 1:2003.

- Maximum roller grille width: 16 m.
- Maximum height: 10 m.
- Color: the standard Color is galvanized steel, but the grilles can be any RAL Color.



MICROFORATA

Microforata CM 10



Microforata CM 10

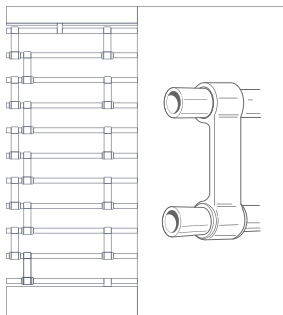


Roller grilles with an electric control system

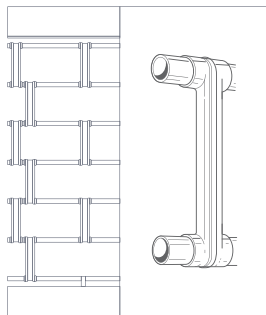
Maximum width	16 m
Maximum height	10 m
Weight	9,3 kg/m ²

GALA

GALA 58



GALA 96, GALA 120

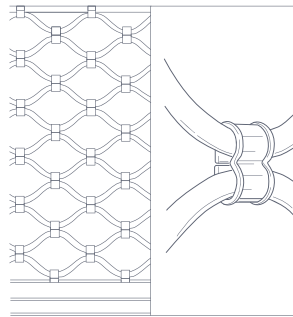


Roller grilles with an electric control system

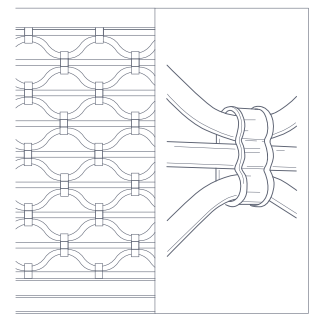
Galvanized steel profile	
Maximum width	12m
Maximum height	10 m
Weight (GALA 58)	10,5 kg/m ²
Weight (GALA 96)	9 kg/m ²
Weight (GALA 120)	7 kg/m ²

MONTE CARLO

MONTE CARLO ST



MONTE CARLO CT



Roller grilles with an electric control system

Galvanized steel profile	
Steel pole diameter	14 mm
Maximum width	11 m
Maximum height	10m
Weight (Monte Carlo ST)	9,5 kg/m ²
Weight (Monte Carlo CT)	12,5 kg/m ²

VALENTINA

VALENTINA CM 10



VALENTINA CM 10 S



Roller grilles with an electric control system

Galvanized steel profile	
Maximum width	16 m
Maximum height	10 m
Weight	11 kg/m ²

Control system  Automatic



DEXTERA

GARAGE GATES





HOUSEHOLD GARAGE GATES

Dextera sectional garage doors ensure protection from:

- Finger jamming.
- Uncontrollable door panel swinging.
- Panels falling out due to broken springs.

Dextera garage doors are made in accordance with European safety standards EN 12604, EN12453, EN12424, EN12425 and EN12426.

FEATURES

The springs used in Dextera garage doors ensure a long lifecycle, meaning that the doors can be opened and closed 25 000 times in total. If the doors are opened and closed 4 times a day, this number will be reached in 17 years.

Dextera garage doors use rollers with bearings that ensure quiet operation of the door. The bearings are protected from dust and water accumulation and do not have to be re-oiled. Specialized tests have shown that the doors can withstand 750 hours in a hostile environment, which is equivalent to 15 years of operation in industrial regions with high levels of pollution.



GARAGE GATES SECTIONS

- The garage gate sections are made from hot dip galvanized steel sheets, which are covered in polyurethane anti-corrosion coating for additional protection. The sections are filled with an environmentally friendly freon-free polyurethane foam filling.
- The sections have a special shape which provides sturdiness to the door. EPDM sealing rubber provides reliable hermetic protection.
- The section construction ensures protection from finger smashing in accordance with the EN12604 standard.
- 4 layers at the metal reinforcement points ensure the sturdiness of the segment, which provides protection from sections splitting during the door closing phase.
- Dexter garage door sections ensure full thermal conductivity, which allows to decrease heating costs. The thermal properties of the segment can be equated to those of a 60 cm brick wall.
- Intermediate pivot hinges and wheel holders are made from stainless steel (AISI 430), which ensures seamless operation of the door, even in locations with higher levels of humidity.
- Due to the construction of the section, the garage door panel is highly resistant to collisions and wind. According to the EN12424 standard, this door is classified as having class 4 resistance to wind load, meaning that the door can withstand wind up to 120 km/h.
- The inner part of the sections is always coated in white (RAL 9002). Both the inner and the outer part of the door can be additionally coated in any RAL Color.

Segment type

Microwave

Type S

Standard external segment colors (surface with a wood texture)

RAL 1015 – Ivory

RAL 3004 – Purple red

RAL 5010 – Gentian blue

RAL 6005 – Moss green

RAL 7016 – Anthracite

RAL 8014 – Brown

RAL 8017 – Chocolate brown

RAL 9006 – Silver

RAL 9016 – White

ADS 703 – Anthracite

Standard external segment color with wood imitation (smooth surface)

Golden Oak

Dark Oak

Cherry (redwood)



TECHNICAL PARAMETERS

Characteristics for a 45 mm residential door	Side springs	Torsion springs
Thermal conductivity (U-value), W/(m²K)*		
Garage gates with pedestrian door	1,17	1,06
Garage gates without pedestrian door	-	1,33
Resistance to wind load (EN 12424)	Class 4	
Air permeability (EN12426)		
Garage gates with pedestrian door	Class 5	
Garage gates without pedestrian door	-	Class 2
Resistance to water penetration (EN12425)	Class 4	
Panel weight**	up to 16.5 kg/m ²	
Structural load on ceiling	up to 32 kg/m ²	

*Calculations and tests to determine the characteristics were done at the ift. Rosenheim GmbH institute:

- for garage gates with side springs 8.125 m²
- for garage gates with torsion springs 18 m²

**gates panel weight can change depending on the type of sections, additional accessories, and other factors.



TECHNICAL PARAMETERS

Characteristics for a 40 mm residential door	Side springs	Torsion springs
Thermal conductivity (U-value), W/(m²K)*		
Garage gates with pedestrian door	1,55	1,35
Garage gates with pedestrian door	-	1,46
Resistance to wind load (EN 12424)	Class 1-4 **	
Air permeability (EN12426)	Class 3**	
Garage gates with pedestrian door	Class 2	
Garage gates without pedestrian door	up to 15.7 kg/m ²	
Resistance to water penetration (EN12425)	up to 32 kg/m ²	

* Calculations and tests to determine the characteristics were done at the ift.

Rosenheim GmbH institute:

- for garage gates with side springs 7.875 m²

- for garage gates with torsion springs 18 m²

** gates panel weight can change depending on the type of sections, additional accessories, and other factors.

*** Depending on the width of the door.

- Windows can be added in any of the gates.
- Windows provide the room with natural light and save energy.
- Windows can also be a unique decorative detail.
- It is also possible to add ventilation grilles.
- Ventilation grilles can be either adjustable or non-adjustable.
- You can also choose from either white or black grilles. The dimensions of the grilles are 368x130 mm.



PEDESTRIAN DOORS

- Narrow door profiles provide elegance.
- Plastic cork tubes are placed in between segments to ensure that there are no gaps between the door profiles and to prevent finger jamming.
- A special profile is used on the outside top part of the door to protect the room from accumulating water in rainy weather.
- Ergonomic metal handles ensure safe and long-lasting use.
- The door has an integrated sensor that turns off the automatic actuator if the door is open.

FEATURES

Pedestrian doors can be installed into garage doors to make it possible to access the room without opening the garage door. The pedestrian doors retain heat inside the room and extend the lifespan of the garage door. The door always opens outwards and can be either left-hand or right-hand type. The clean door aperture width for microwave and type S sections is 920 mm. It is also possible to add a window to the door in the third section.

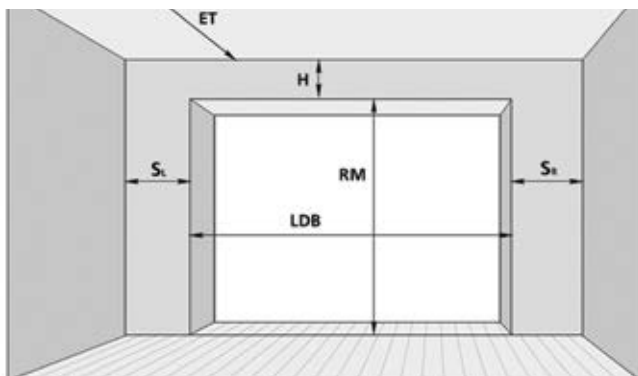
Installation type	lintel (H), mm
Garage door with side springs	min. 100
Standard installation type	min. 210
Lowered installation type	min. 100
Lowered installation type with passenger door	min. 100
Heightened installation type	min. 900, max. 1500



ARTIFICIAL LINTEL

Note: garage gates lift mechanism cannot be fixed onto an artificial lintel.

RM – Clearance height
 LDB – Clearance width
 H – Lintel height
 ET – Clearance depth
 SL, SR – Clearance edges



FEATURES

An artificial lintel can be used when the height of the built-in lintel is smaller than the one indicated in the installation parameters.

An artificial lintel can be used for garage doors with Torsion springs for lowered lifting as well as doors with side springs. This lintel can also be used for heightened lift garage doors when it is necessary to lower the height of the door clearance.



INDUSTRIAL GARAGE GATES

- These industrial garage gates are safe and in accordance with European safety standards EN 12604, EN 12453, EN 12424, EN 12425, and EN 12426.
- The gates are made using parts that are highly resistant to corrosion:
- Side fittings and springs
- Sections with polyurethane covered modified polyamide parts (PUR-PA)
- Tracks made from hot dip galvanized steel.
- Tests have confirmed that in coastal regions, the gates segments do not corrode up to 15 years.
- The steel sheets of the sections are filled with high density polyurethane foam, which ensures sturdiness and resistance to collision and wind. Industrial garage doors can withstand up to 700 Pa load, which is equivalent to 120 km/h wind speed.
- Industrial garage doors ensure low thermal conductivity, which allows lowering heating costs. The thermal properties of the section are equivalent to that of a 65cm brick wall.
- 10 different installation types provide the possibility to adapt the garage gates to different buildings. The gates can be easily adapted to premises with low or high ceilings, or even sloping roofs.
- The segment construction ensures protection from finger jamming in accordance with the EN12604 standard.
- 4 layers at the metal attachment points ensure the sturdiness of the section and prevents the sections from splitting during the gates closing phase.



GARAGE GATES SECTIONS

FEATURES

The sections are made from hot-dipped galvanized steel sheets which are coated in a polyurethane cover for additional protection. The segments are filled with an environmentally friendly, CFC-free polyurethane foam filling.

The sections use a special sealing rubber which ensures air tightness in the section joints.

The inner part of the sections is always white (RAL 9002).

The garage gates can be additionally coated in any RAL color on the inner and outer part.

Segmento tipis

Microwave

Type S

Standard external segment colors (surface with a wood texture)

RAL 1015 – Ivory

RAL 3004 – Purple red

RAL 5010 – Gentian blue

RAL 6005 – Moss green

RAL 7016 – Anthracite

RAL 8014 – Brown

RAL 8017 – Chocolate brown

RAL 9006 – Silver

RAL 9016 – White

ADS 703 – Anthracite



TECHNICAL PARAMETERS

Characteristics	45 mm sections	40 mm sections
Thermal conductivity (U-value), W/(m²K)*		
Garage gates with pedestrian door	1,01	1,15
Garage gates without pedestrian door	1,20	1,35
Resistance to wind load (EN 12424)	Class 4 ***	
Air permeability (EN12426)		
Garage gates with pedestrian door	Class 5	Class 3
Garage gates without pedestrian door	Class 1	Class 3
Resistance to water penetration (EN12425)	Class 4	
Garage gates with pedestrian door	Class 2	Class 2
Garage gates without pedestrian door	Class 1	Class 2
Panel weight**	up to 16.5 kg/m ²	
Ceiling load on ceiling	up to 32 kg/m ²	

* The parameter is calculated for 25 m² garage gates according to data provided by ift Rosenheim GmbH institute.

** The weight of the panel may change depending on the type of the sections, additional accessories and other factors.

*** The tests were carried out by NISI laboratory (Bulgaria). Wind load resistance data was presented after conducting experiments with 3x3.5 m doors.

**** The tests were carried out by TÜV SÜD Czech s.r.o. Wind resistance data presented applies to doors up to 3.3 m in width.

- The industrial doors are used with many industrial and farming objects, car selling companies, carwashes and maintenance workshops, fire stations, warehouses and commercial premises.
- The construction of the gates is reinforced for safe and reliable operation.
- The construction of the industrial gates can be adapted to intensive operation.
- According to their construction properties, the gates can be raised and lowered at least 100 000 times.



INSTALLATION PARAMETERS

Installation type	lintel (H), mm
Standard installation type	min. 410
	430 (RM>3000) 530 (RM>4000)
Heightened installation type with a top shaft	min. 900
Heightened installation type with a bottom shaft	min. 1795
Vertical installation type with a top shaft	min. RM+340
Vertical installation type with a bottom shaft	min. RM+340
Lowered installation type	min. 230 (no door)
Angle installation type*	min. 490
Angle heightened installation type with a top shaft*	min. 900
Angle heightened installation type with a bottom shaft*	min. 1795
Angle lowered installation type*	min. 230

* Lifting angle can be chosen every 5° , from 5° to 45°. RM – clearance height.



PANORAMIC GARAGE GATES

Panoramic panels ensure indoor visibility and natural light and are a great fit for auto repair shops, carwashes and other commercial premises.

Panoramic sections are made from extruded aluminum profiles with transparent acrylic gaskets.

By using special aluminum profiles, you can improve the thermal insulation of the garage door by up to 40%, in comparison to regular panoramic garage door.

You can choose out of 9 standard colors for the panoramic garage doors or coat them in any other RAL color. You can also order a panoramic garage door with an added pedestrian door, which not only provides functionality to the garage door, but also extends its lifespan. The minimum lifespan of the springs is 25000 cycles of raising and lowering, which adds up to approximately 17 years of operation (provided the doors are raised and lowered 4 times a day on average).



Technical specifications

Actuator	automatic
Construction type	with side springs, standard, lowered, heightened
Dimensions	up to 6000 x 3085 mm

- Pedestrian doors, windows, and ventilation grilles can be integrated into the garage door.
- The pedestrian door installed into the garage door can have either a standard (115 mm) or short (20 mm) threshold.
- Separate sections of the door are combined using steel hinges.
- Sections with excellent thermal insulation properties and an insulation system installed across the entire perimeter of the door help maintain the right temperatures inside the industrial building.
- Different glazing options available; focus on natural light and energy saving.
- Can be any RAL color.
- The acrylic that makes up the glass of panoramic door sections is highly resistant and remains transparent for a long time.



DEXTERA

GATE AUTOMATION

BENINCA



SWING GATE AUTOMATION



ACTUATOR BOB21M

FEATURES

A compact automatic actuator for swing gates. Due to its distinct design, it suits exteriors of different architectural styles.

The easy and quick to install actuator BOB21M is made for a 230 V alternating current.

The actuator is for gates with panels up to 2.1 m in width.

Technical specifications

Supply voltage	230 V
Motor voltage	230 V
Electric current strength	1,8 A
IP Safety Class	IP 44
Tractive force	2300 N
Opening speed	18 s
Operating temperature	-20/ +50 °C
Adjustable opening and closing positions.	



ACTUATOR BOB30M

FEATURES

A compact automatic actuator for swing gates. Due to its distinct design, it suits exteriors of different architectural styles.

The easy and quick to install actuator BOB30M is made for a 230 V alternating current.

Technical specifications

Supply voltage	230 V
Motor voltage	230 V
Electric current strength	1,8 A
IP Safety Class	IP 44
Tractive force	2300 N
Opening speed	18 s
Operating temperature	-20/ +50 °C
Adjustable opening and closing positions.	



ACTUATOR BOB50M

FEATURES

An automatic actuator for swing gates made from high-quality materials. Due to its unique construction and sturdy metal mechanism, the BOV model actuator is ideal for large residential gates.

The BOB50M actuator is made for a 230 V alternating current.

For gates with panels up to 5 m wide.

Technical specifications

Supply voltage	230 V
Motor voltage	230 V
Electric current strength	1,4 A
IP Safety Class	IP 44
Tractive force	3500 N
Opening speed	26 s
Operating temperature	-20/ +50 °C
Adjustable opening and closing positions.	



ACTUATOR BENINCA BILL30M

FEATURES

The compact, well-designed BILL actuator is easy to install and can be used in harsh weather conditions (in dusty, sandy areas, etc.).

The BILL30M actuator is made for 230 V alternating current.

For gates with panels up to 5 m wide.

Technical specifications

Supply voltage	230 V
Motor voltage	230 V
Electric current strength	1,35 A
IP Safety Class	IP 54
Tractive force	3200 N
Opening speed	16 s
Operating temperature	-20/ +50 °C



ACTUATOR BENINCA BILL50M

FEATURES

The compact, well-designed BILL model actuator is easy to install and can be used in harsh weather conditions (in dusty and sandy areas, etc.)

The BILL50M actuator is made for 230 V alternating current. For gates with panels up to 5 m wide.

Technical specifications

Supply voltage	230 V
Motor voltage	230 V
Electric current strength	1,35 A
IP Safety Class	IP 54
Tractive force	3200 N
Opening speed	21 s
Operating temperature	-20/ +50 °C



ACTUATOR BENINCA KMB24

FEATURES

This actuator with an elbow is especially suitable for residential swing gates with large columns. It is characterized by a compact linear design. High-quality materials ensure maximum sturdiness and durability.

Designed for gates with panels up to 2.5 m wide.

Technical specifications

Supply voltage	230 V
Motor voltage	230 V
Electric current strength	6,2 A (0,76A)
IP Safety Class	IP 44
Tractive force	180 Nm
Opening speed	10 s
Operating temperature	-20/ +50 °C

SLIDING GATE AUTOMATION



ACTUATOR BULL5M

FEATURES

An actuator for sliding gates up to 500 kg in weight. The electric supply is provided by a 230 V alternating current. The model includes a metal control unit with a launch button. The design of the BULL model suits exteriors of different architectural styles.

Technical specifications

Supply voltage	230 V
Motor voltage	230 V
Electric current strength	1,3 A
IP Safety Class	IP 44
Tractive force	650 N
Opening speed	10,5 m/min
Operating temperature	-20/ +50 °C
Integrated control unit with a receiver	



ACTUATOR BULL624 TURBO

FEATURES

An actuator for sliding gates that weigh up to 600 kg. A 24 V motor for intensive use with an integrated control unit. A power supply which allows to reduce energy consumption and ensures a long lifespan of the actuator.

The model includes a virtual encoder that ensures that the movement of the gate is properly controlled according to the position of the gate, which guarantees maximum safety.

Technical specifications

Supply voltage	230 V
Motor voltage	24 V
Electric current strength	3 A
IP Safety Class	IP 44
Tractive force	330 N
Opening speed	12.5÷25.5 m/min
Operating temperature	-20/ +50 °C
Integrated control unit with a receiver	



ACTUATOR BULL8M

FEATURES

An actuator for sliding gates weighing up to 500 kg. The electric supply is provided by a 230 V alternating current. Includes a metal control unit with a launch button and a virtual encoder that ensures safe gate movement, precise stopping and reverse movement. The design of the BULL model suits exteriors of different architectural styles.

Technical specifications

Supply voltage	230 V
Motor voltage	230 V
Electric current strength	2,6 A
IP Safety Class	IP 44
Tractive force	940 N
Opening speed	10,5 m/min
Operating temperature	-20/ +50 °C
Integrated control unit with a receiver	



ACTUATOR BULL10M

FEATURES

A reliable, quietly operating actuator for sliding gates. The BULL10M is supplied with a 230 V alternating current. Guaranteed maximum safety and precise configuration of rear operator positions.

Made for gates weighing up to 1000 kg.

Technical specifications

Supply voltage	230 V
Motor voltage	230 V
Electric current strength	1,8 A
IP Safety Class	IP 44
Torque	40 Nm
Opening speed	10,5 m/min
Operating temperature	-20/ +50 °C
Integrated control unit with a receiver	



SECTIONAL AND INDUSTRIAL SECTIONAL GARAGE DOOR AUTOMATION



SECTIONAL
GARAGE GATES

ACTUATOR BENINCA JM3

FEATURES

The JM3 model actuator is made for sectional gates with an area up to 11m². Automation is applied with a quietly operating belt rail. It has an integrated encoder that ensures precise gate movement, stopping and reverse movement. The integrated signal receiver allows you to control the automation using a remote control.

Includes:

- An electromechanical actuator without a rail (integrated control unit with a receiver) 1 pcs.
- Remote control 1 pcs.

Technical specifications

Supply voltage	230 V
Motor voltage	24 V
Electric current strength	0,7 A
IP Safety Class	IP 40
Motor thrust	600 N
Opening speed	1 up to 13 m/min
Operating temperature	-20/ +50 °C





ACTUATOR BENINCA JM4 ESA

FEATURES

The JM4 ESA model actuator is made for sectional gates with area up to 22 m². The automation has an energy saving system (ESA SYS-TEM) installed. The automation is applied with a quietly operating belt rail and has an integrated encoder that ensures precise gate movement, stopping, and reverse movement. An integrated signal receiver allows you to control the automation using a remote control.

Includes:

- An electromechanical actuator without a rail (integrated control unit) 1 pcs.
- Remote control 1 pcs.

Technical specifications

Supply voltage	230 V
Motor voltage	24 V
Electric current strength	1,5 A
IP Safety Class	IP 40
Motor thrust	1200 N
Opening speed	8,9 m/min
Operating temperature	-20/ +50 °C

ALSYR





SECTIONAL INDUSTRIAL GARAGE GATES

ACTUATOR BENINCA VN.M20

FEATURES

The VN.M20 actuator is made for industrial and sectional garage doors. The model includes an emergency release handle. Supplied with a 230 V alternating current. An oiled mechanism and high-quality materials of the VN. M20 model ensures a seamless performance, reliability and safety. Made for industrial garage doors with an area of up to 35 m².

Technical specifications

Supply voltage	230 V
Electric current strength	3,3 A
Torque	130 Nm
Shaft diameter	25,4 mm
Rotation speed	24,1/min
Weight	18,5 kg
Operating temperature	-20/ +50 °C
Chain length	2,5 m



ACTUATOR BENINCA VN.S20

FEATURES

The VN.S20 actuator for sectional doors of industrial buildings with a fast launch system. Supplied with a 230 V alternating current. An oiled mechanism and high-quality materials of the VN. 20 model ensures a seamless performance, reliability, and safety.

Made for industrial garage doors with an area up to 35 m².

Technical specifications

Supply voltage	230 V
Electric current strength	3,3 A
Torque	130 Nm
Shaft diameter	25,4 mm
Rotation speed	24,1/min
Weight	15 kg
Operating temperature	-20/ +50 °C

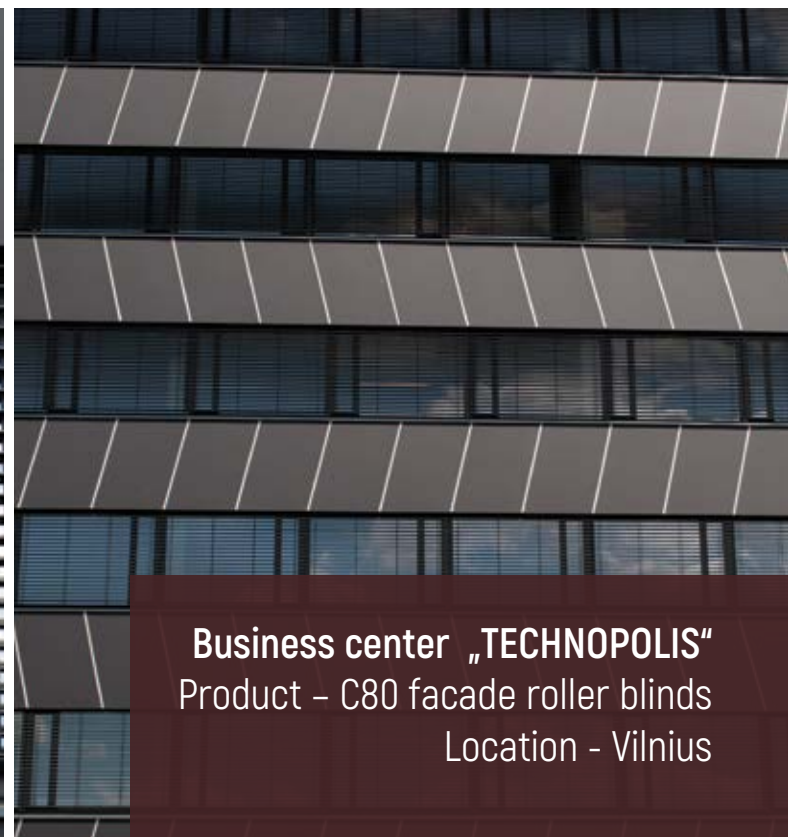
DEXTERA

COMPLETED PROJECTS

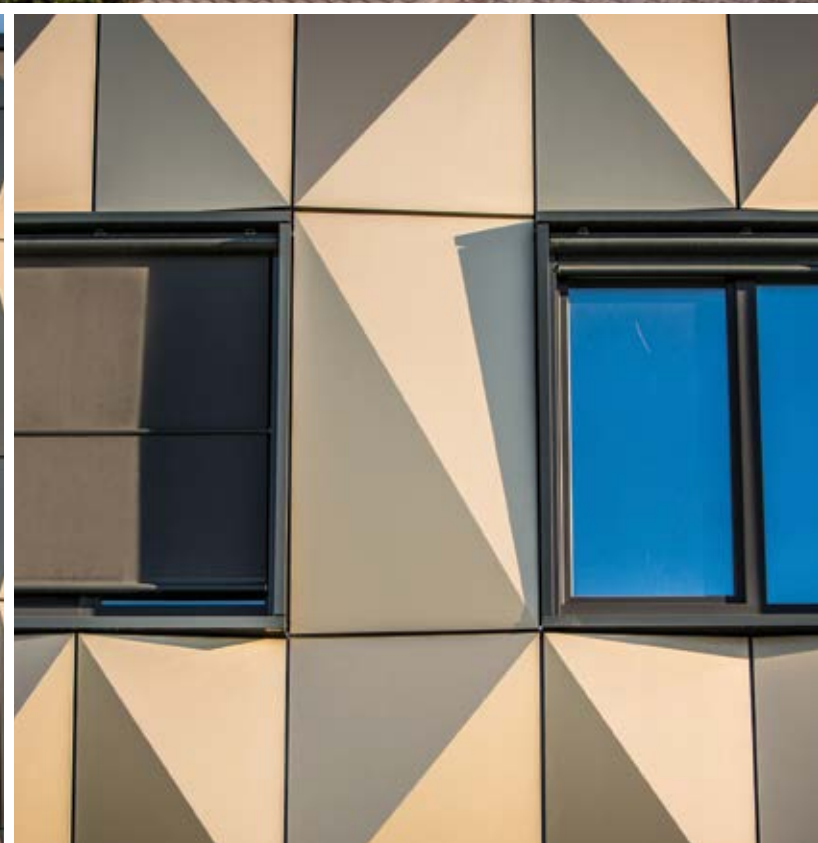


TECHNOPOLIS

Booking.com



Business center „TECHNOPOLIS“
Product – C80 facade roller blinds
Location – Vilnius



Office complex „103“
Product – R90 facade roller blinds
Location – Klaipėda



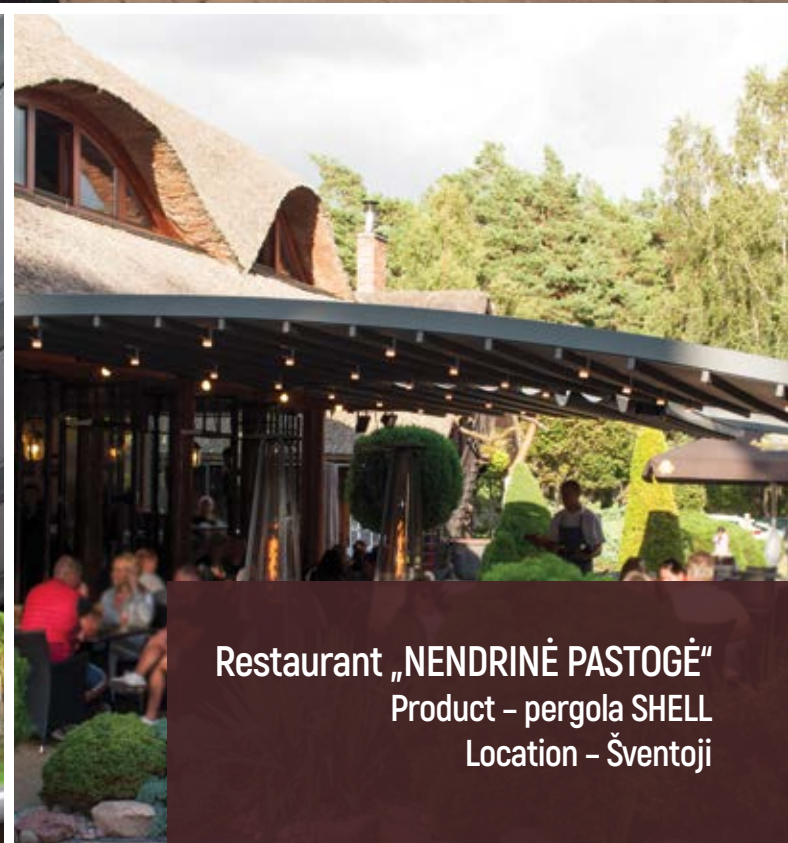
Restoranas „STIKLIAI“
Product – pergola GOLD
Location – Vilnius



LIMEDIKA

Product - R103 facade roller blinds

Location - Kaunas



Restaurant „NENDRINĒ PASTOGĒ“
Product – pergola SHELL
Location – Šventoji



Medical SPA hotel „GRADIALI“
Product – pergola PEARL
Location – Palanga



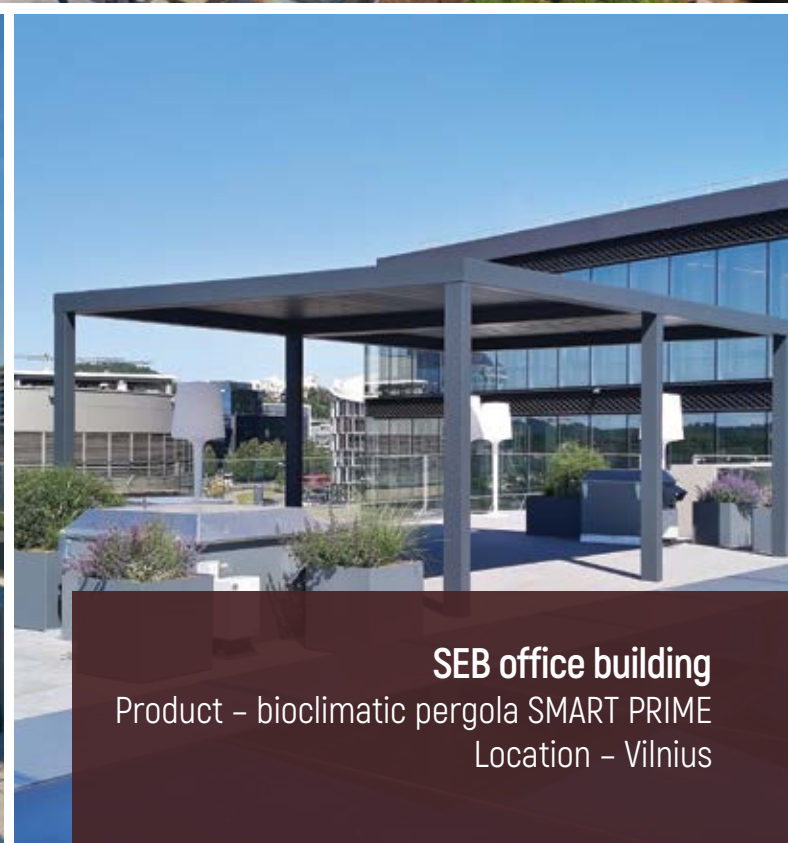
Restaurant „S BAR“

Product – pergola BRONZE

Location – Šiauliai



Restaurant „PANORAMA“
Product – pergola BRONZE
Location – Šiauliai



SEB office building
Product – bioclimatic pergola SMART PRIME
Location – Vilnius



Restaurant „Pink&Yellow“

Product – bioclimatic pergola SMART ROOF

Location – Vilnius



Kaunas cultural center
Product - pergola DIAMOND
Location - Kaunas



Business center „Nova“
Product – exterior blinds
Location – Vilnius



Restaurant „VANDENIS“
Product - pergola GOLD with LED lighting
Location - Palanga



HOTEL „PUŠŲ PAUNKSNĖJE“
PRODUCT - awning PALLADIO
with electric drives and wind sensor
Location - Palanga



Children's Hospital (affiliate of Vilnius University Hospital Santaros Klinikos)

Product - facade blinds

Location - Vilnius





DEXTERA



Last update: April, 2023